



US007022245B2

(12) **United States Patent**
Pan et al.

(10) **Patent No.:** **US 7,022,245 B2**
(45) **Date of Patent:** **Apr. 4, 2006**

(54) **FABRICATION OF A REFLECTIVE SPATIAL LIGHT MODULATOR**

(75) Inventors: **Shaohar X Pan**, San Jose, CA (US);
Xiao Yang, Sunnyvale, CA (US);
Dongmin Chen, Belmont, MA (US)

(73) Assignee: **Miradia Inc.**, Sunnyvale, CA (US)

(*) Notice: Subject to any disclaimer, the term of this patent is extended or adjusted under 35 U.S.C. 154(b) by 0 days.

(21) Appl. No.: **10/756,923**

(22) Filed: **Jan. 13, 2004**
(Under 37 CFR 1.47)

(65) **Prior Publication Data**
US 2004/0159631 A1 Aug. 19, 2004

Related U.S. Application Data
(63) Continuation of application No. 10/378,041, filed on Feb. 27, 2003, now abandoned.

(60) Provisional application No. 60/390,389, filed on Jun. 19, 2002.

(51) **Int. Cl.**
B81B 5/00 (2006.01)

(52) **U.S. Cl.** 216/2; 216/24; 216/67

(58) **Field of Classification Search** 216/2, 216/4, 24, 36, 67, 79

See application file for complete search history.

(56) **References Cited**
U.S. PATENT DOCUMENTS

- 4,229,732 A 10/1980 Hartstein et al.
- 4,317,611 A 3/1982 Petersen
- 4,566,935 A 1/1986 Hornbeck
- 4,615,595 A 10/1986 Hornbeck

- 5,061,049 A 10/1991 Hornbeck
- 5,172,262 A 12/1992 Hornbeck
- 5,311,360 A 5/1994 Bloom et al.
- 5,382,961 A 1/1995 Gale, Jr.
- 5,448,314 A 9/1995 Heimbuch et al.
- 5,452,024 A 9/1995 Sampsell
- 5,489,952 A 2/1996 Gove et al.
- 5,504,614 A 4/1996 Webb et al.
- 5,535,047 A 7/1996 Hornbeck
- 5,583,688 A 12/1996 Hornbeck
- 5,589,852 A 12/1996 Thompson et al.
- 5,600,383 A 2/1997 Hornbeck
- 5,661,591 A 8/1997 Lin et al.
- 5,663,749 A 9/1997 Farris et al.
- 5,742,419 A 4/1998 Dickensheets et al.

(Continued)

FOREIGN PATENT DOCUMENTS

EP 1237032 A2 9/2002

OTHER PUBLICATIONS

Petersen, K.E., *Micromechanical Membrane Switches On Silicon*, IBM J. Res. Develop., Jul. 1979, pp. 376-385, vol. 23, No. 4.

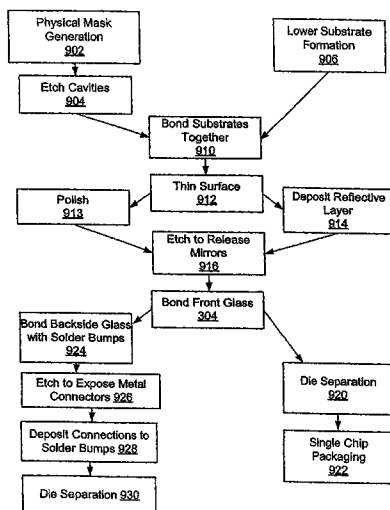
(Continued)

Primary Examiner—Allan Olsen
(74) *Attorney, Agent, or Firm*—Townsend and Townsend and Crew LLP

(57) **ABSTRACT**

Fabrication of a reflective spatial light modulator including a micro-mirror array. In one embodiment, the micro mirror array is fabricated from a substrate that is a single crystal material by only two main etching steps. A first etch forms cavities in a first side of the material. A second etch forms support posts, a vertical hinge, and a mirror plate. Between the first and second etches, the substrate can be bonded to addressing and control circuitry.

11 Claims, 17 Drawing Sheets



U.S. PATENT DOCUMENTS

5,757,536 A 5/1998 Ricco et al.
5,835,256 A 11/1998 Huibers
5,999,306 A 12/1999 Atobe et al.
6,038,056 A 3/2000 Florence et al.
6,046,840 A 4/2000 Huibers
6,049,317 A 4/2000 Thompson et al.
6,172,797 B1 1/2001 Huibers
6,201,521 B1* 3/2001 Doherty 345/84
6,252,277 B1* 6/2001 Chan et al. 257/330
6,323,982 B1 11/2001 Hornbeck
6,337,760 B1 1/2002 Huibers et al.
6,356,378 B1 3/2002 Huibers
6,388,661 B1 5/2002 Richards
6,396,619 B1 5/2002 Huibers et al.
6,429,033 B1 8/2002 Gee et al.
6,529,310 B1 3/2003 Huibers et al.
6,538,800 B1 3/2003 Huibers
6,542,653 B1 4/2003 Wu et al.
6,543,286 B1 4/2003 Garverick et al.
6,809,852 B1 10/2004 Tao et al.
6,827,866 B1* 12/2004 Novotny 216/2
2002/0041455 A1 4/2002 Sawada et al.

2002/0071166 A1 6/2002 Jin et al.
2002/0071169 A1 6/2002 Bowers et al.
2002/0132389 A1 9/2002 Patel et al.
2003/0117686 A1 6/2003 DiCarlo
2004/0004753 A1 1/2004 Pan
2004/0008402 A1 1/2004 Patel et al.
2004/0125347 A1 7/2004 Patel et al.
2004/0136044 A1 7/2004 Miller et al.
2004/0184133 A1 9/2004 Su et al.
2004/0190817 A1 9/2004 Aubuchon
2005/0041277 A1 2/2005 Huibers

OTHER PUBLICATIONS

Henley , Francois J. and Current, Michael I., "A New SOI Manufacturing Technology Using Atomic Layer Cleaving," Silicon Genesis Corporation, Campbell, CA, pp. 1-5.
Petersen, K.E., Micromechanical Light Modulator Array Fabricated On Silicon, Applied Physics Letters, Oct. 15, 1977, pp. 521-523, vol. 31, No. 8.

* cited by examiner

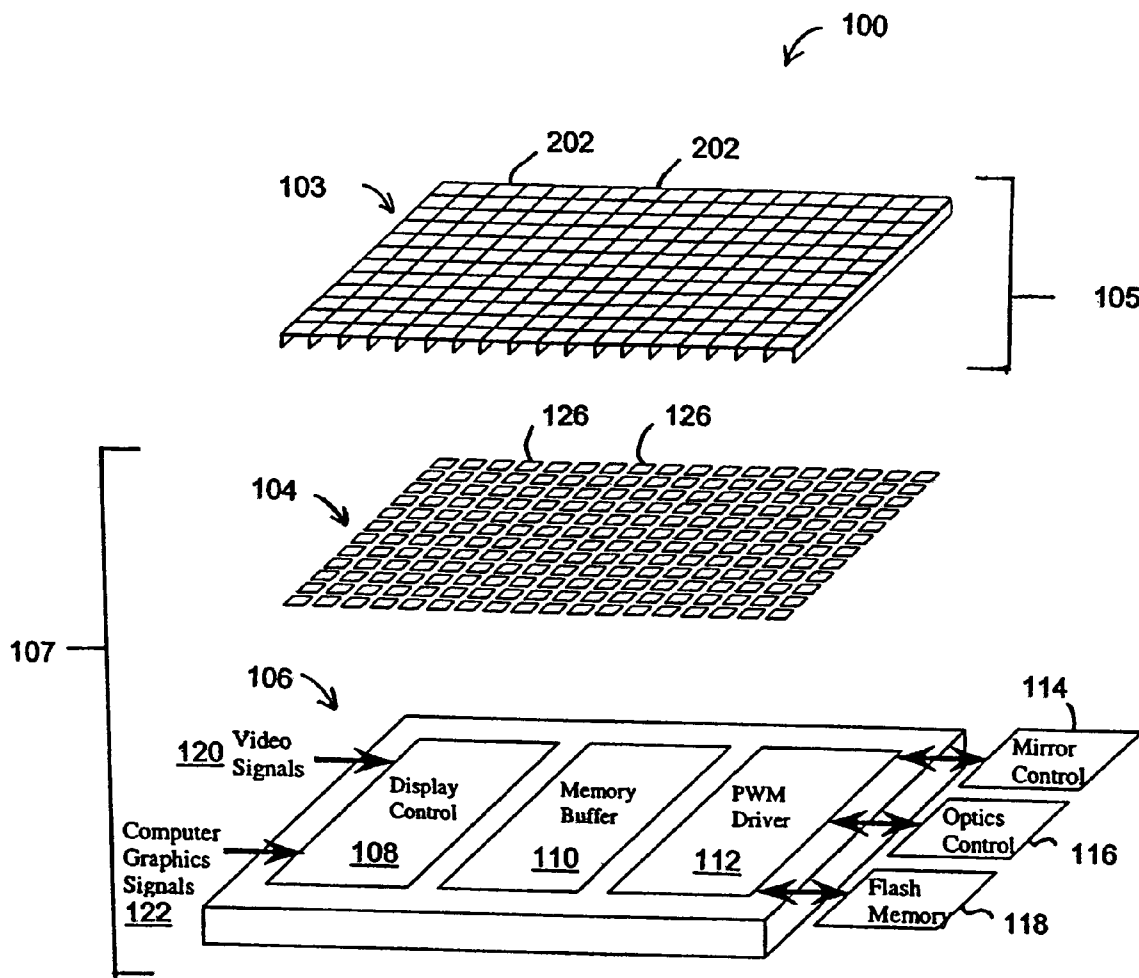


Figure 1

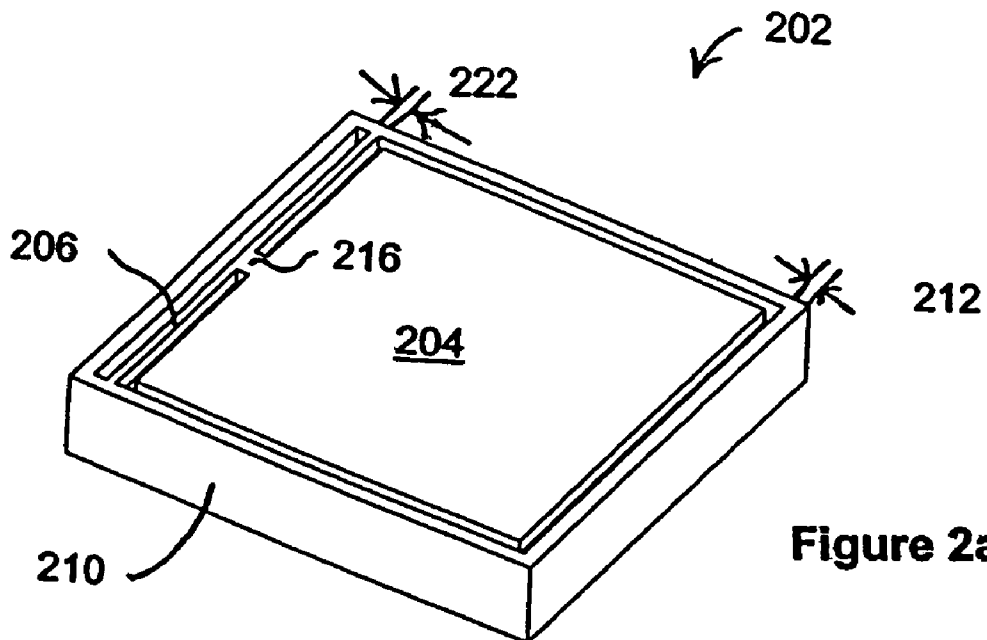


Figure 2a

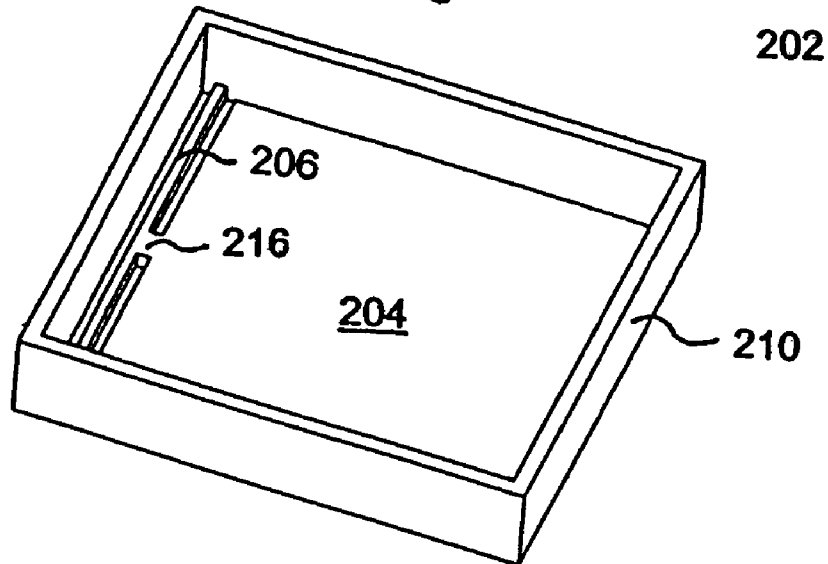
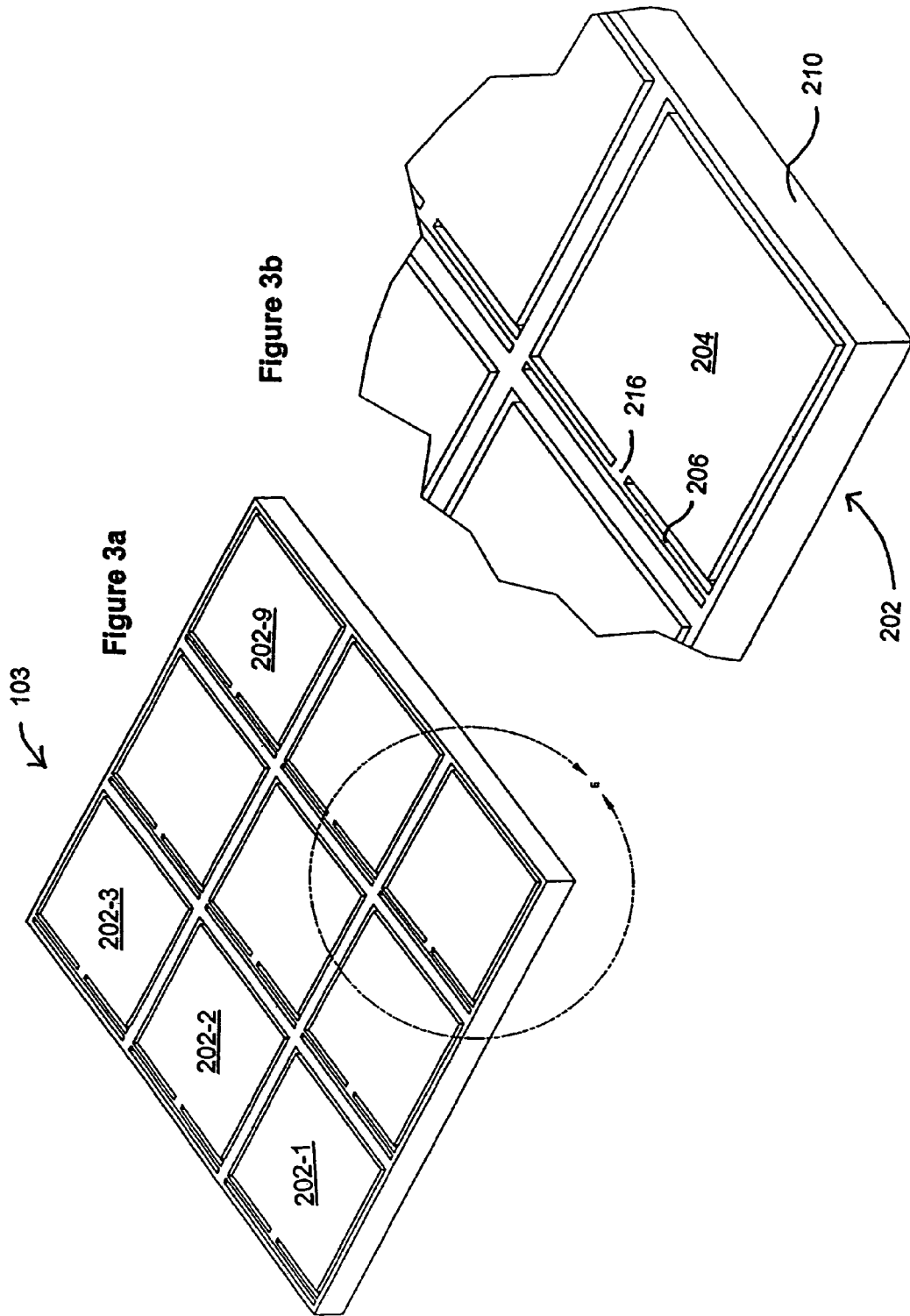


Figure 2b



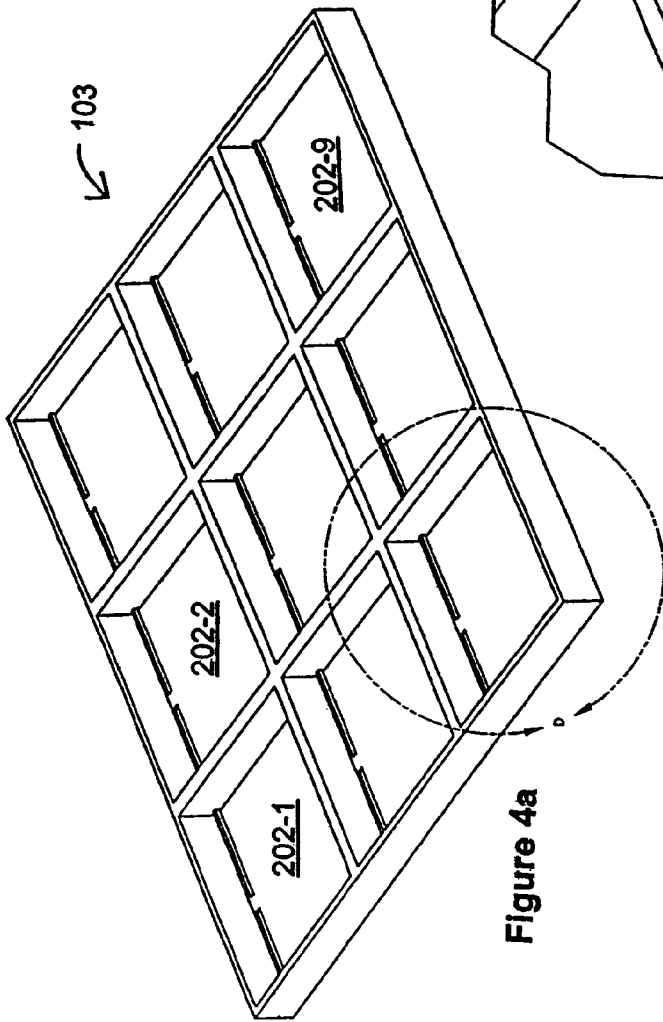
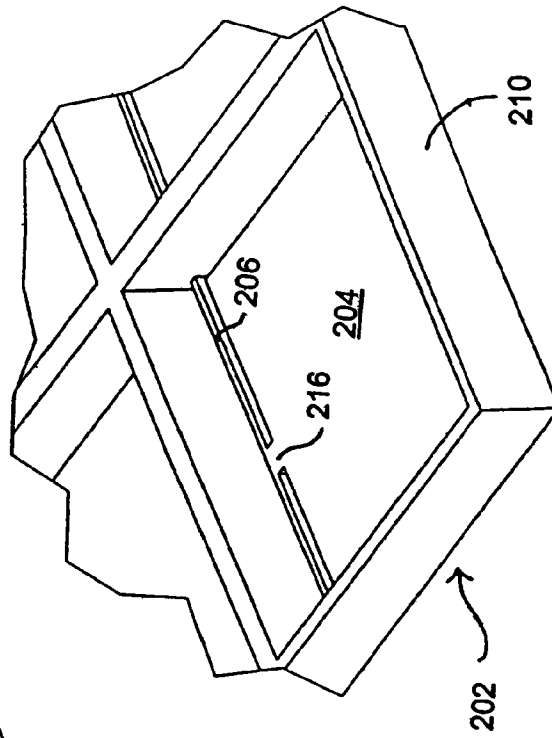


Figure 4b



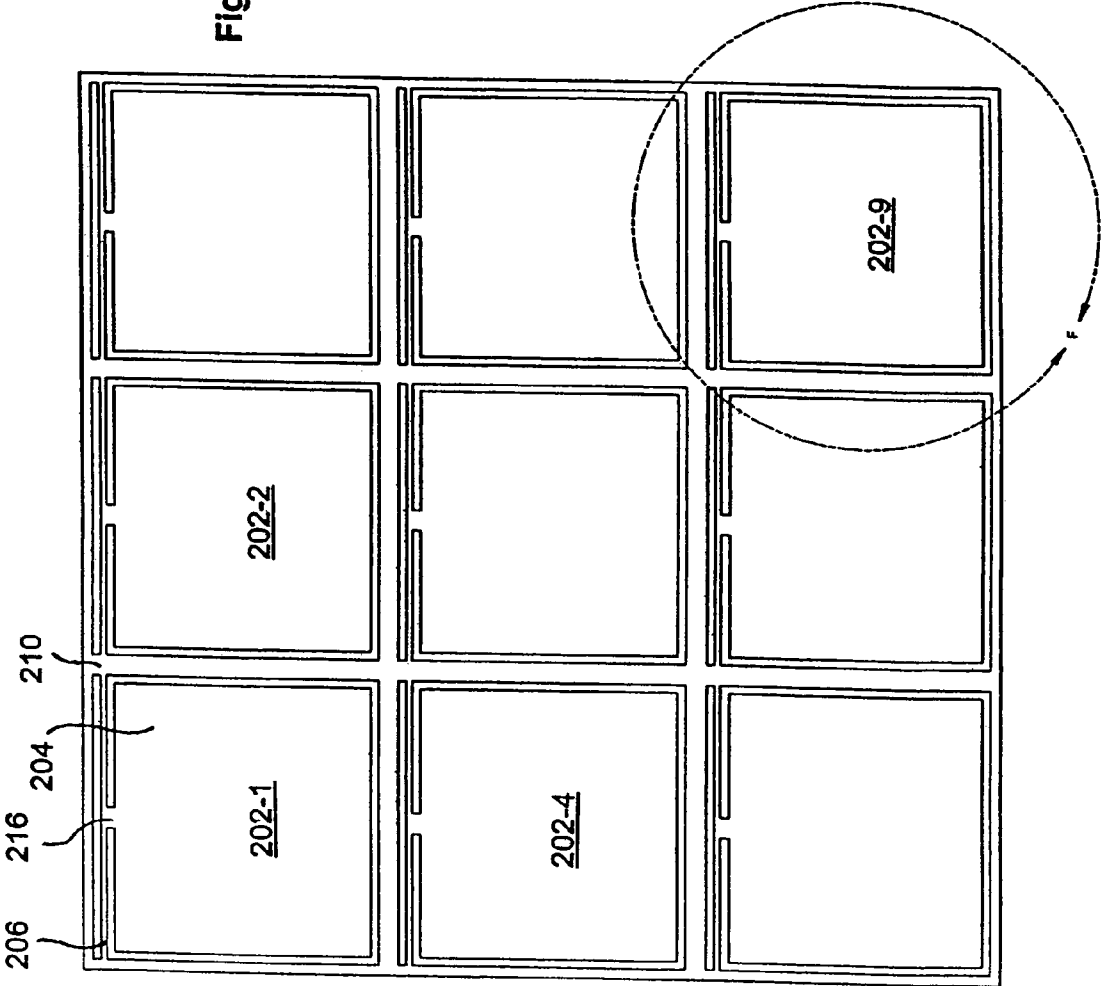
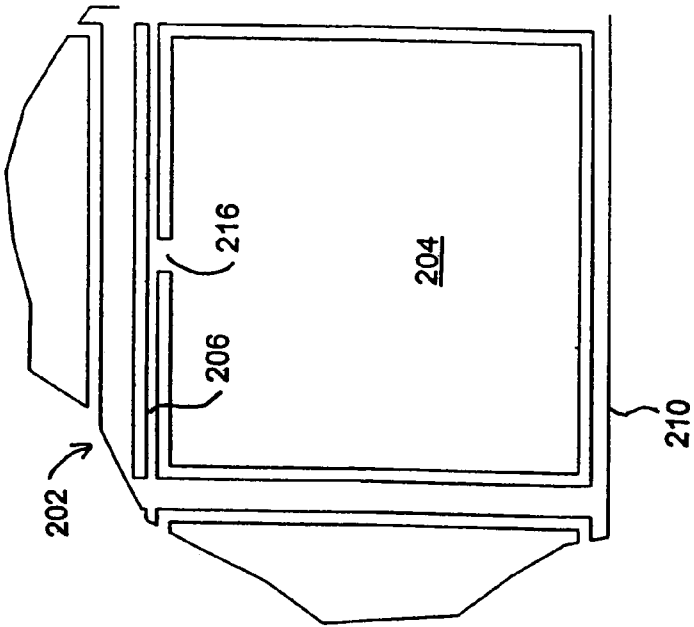


Figure 5a

Figure 5b



202

206

216

204

210

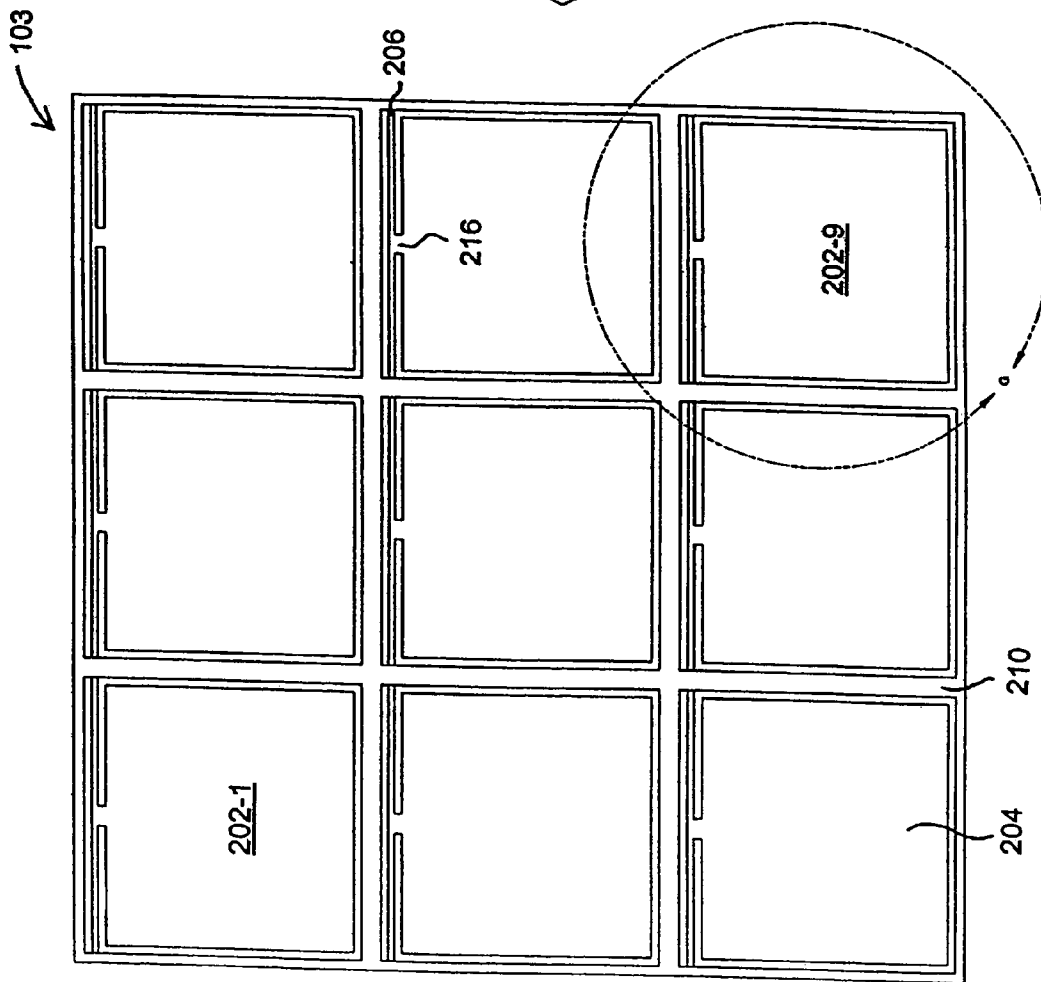


Figure 6a

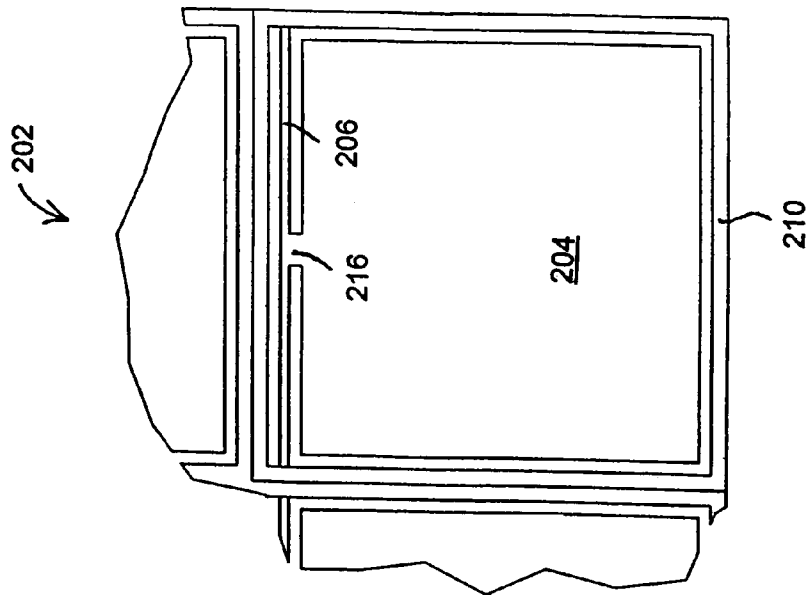
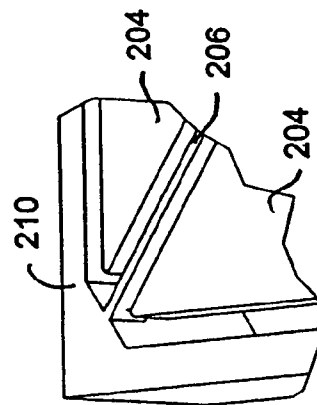
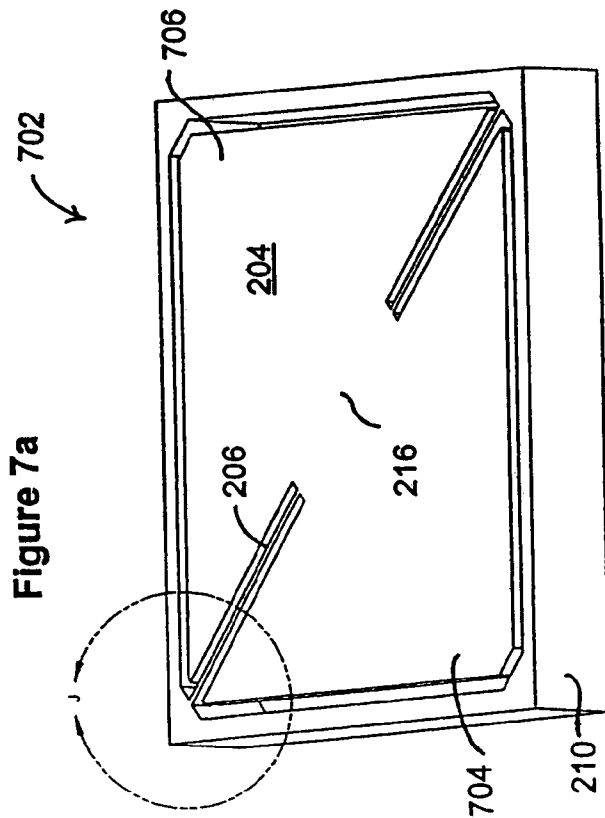
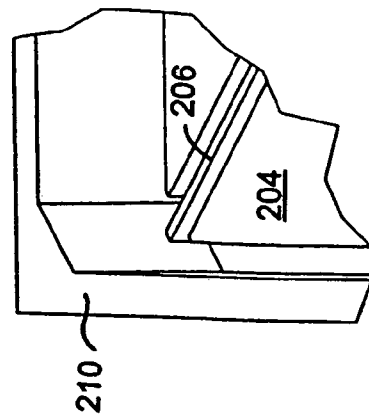
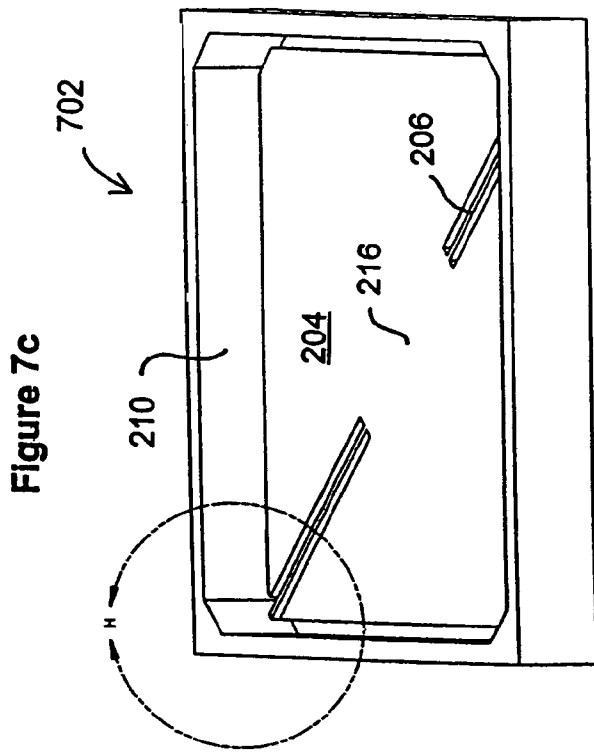


Figure 6b



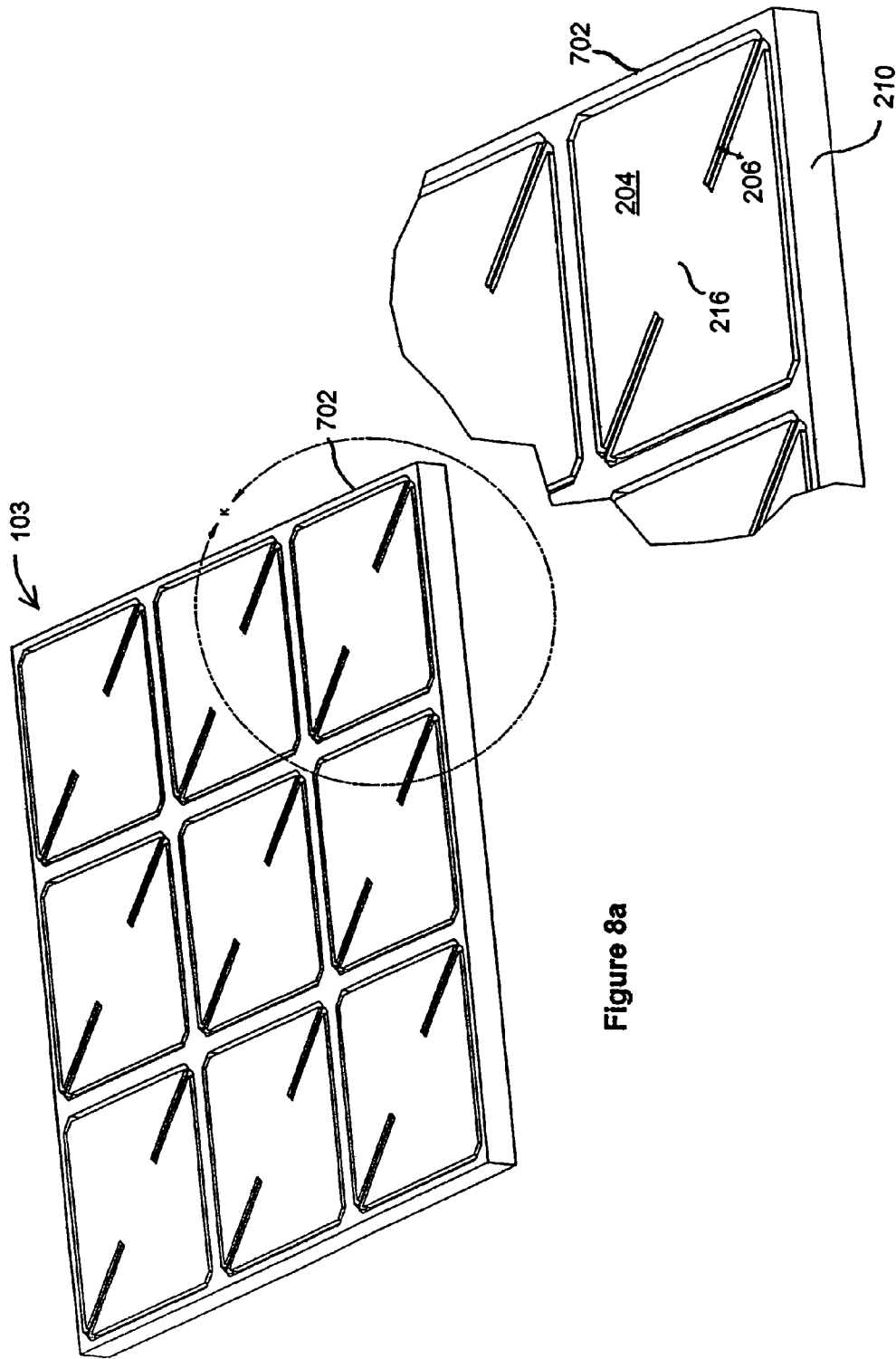


Figure 8a

Figure 8b

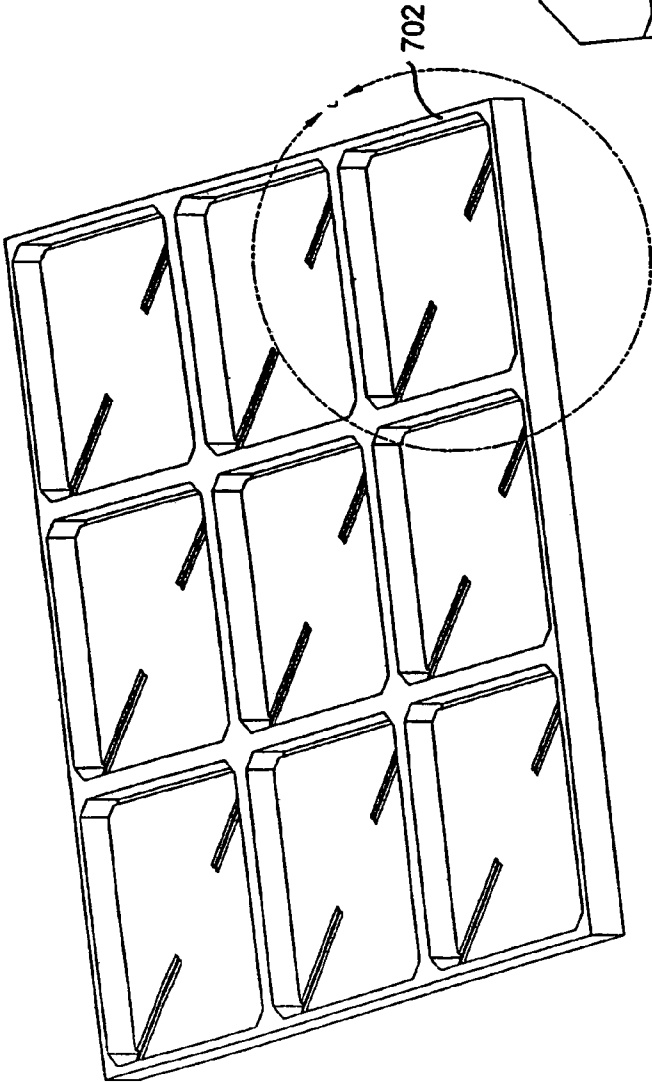


Figure 8c

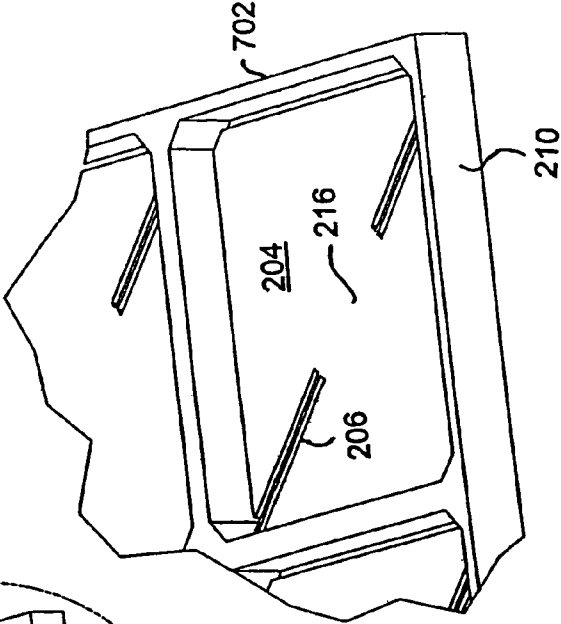


Figure 8d

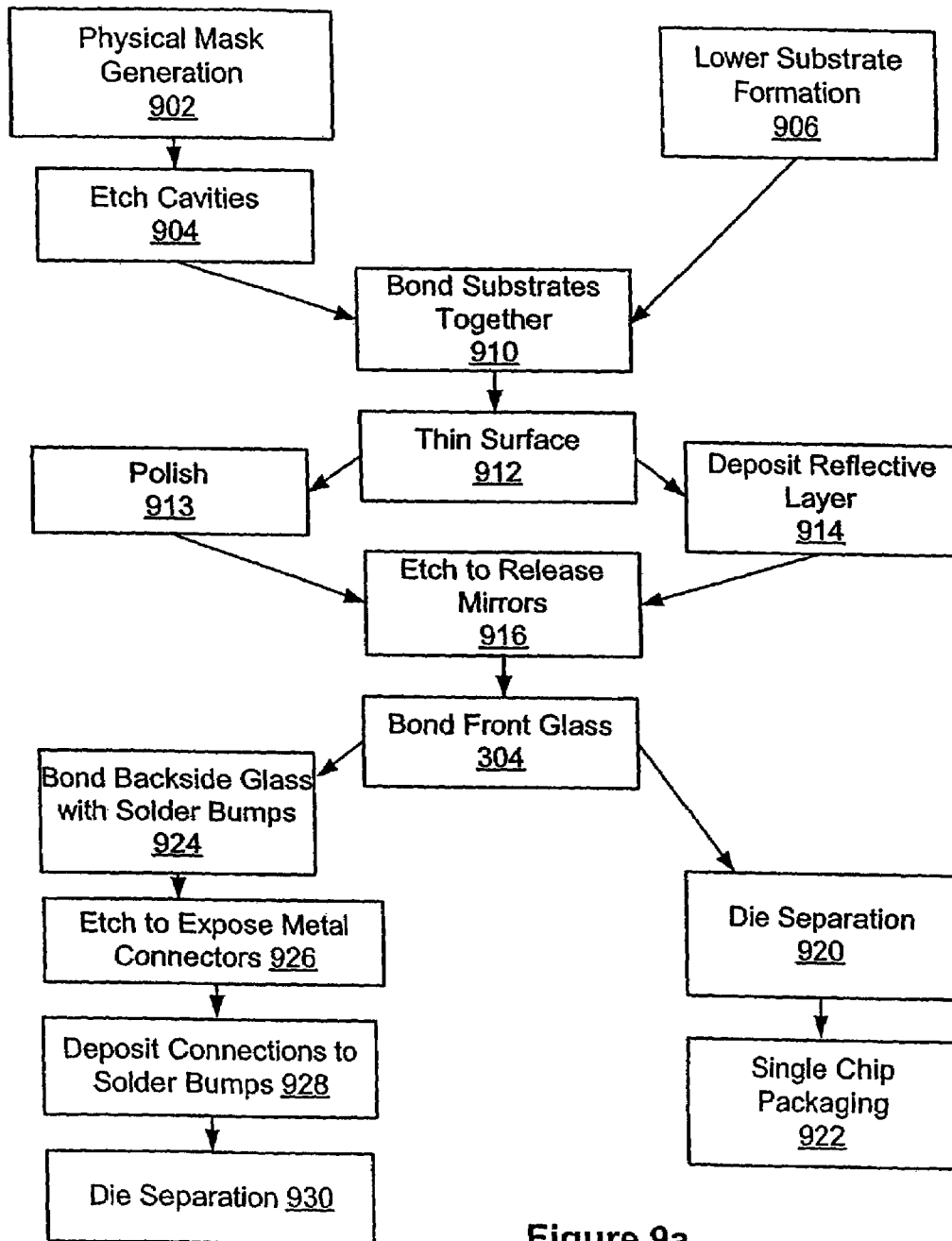


Figure 9a

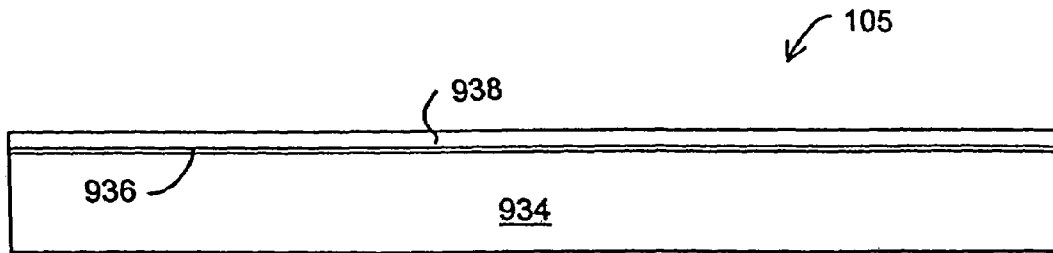


Figure 9b

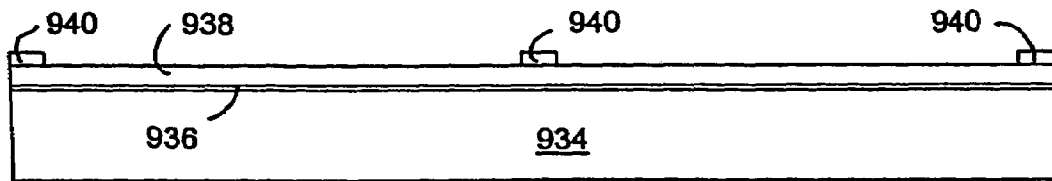


Figure 9c

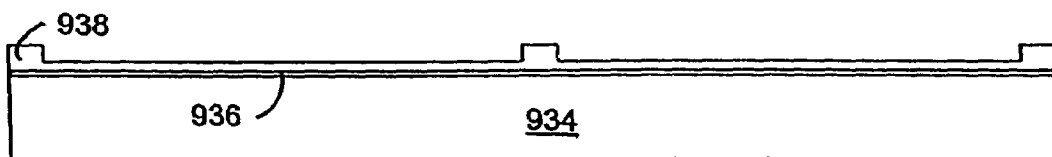


Figure 9d

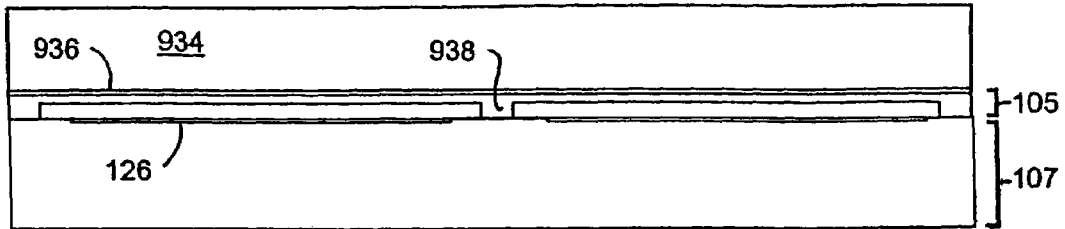


Figure 9e

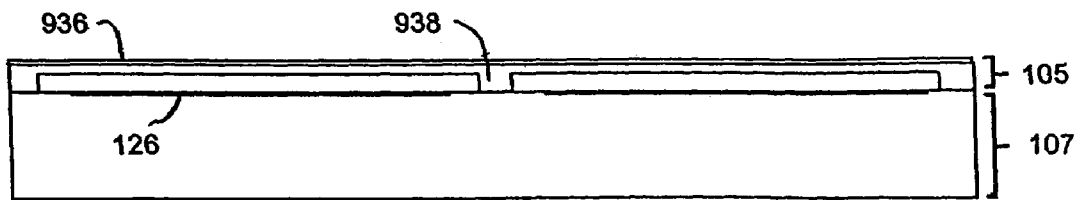


Figure 9f

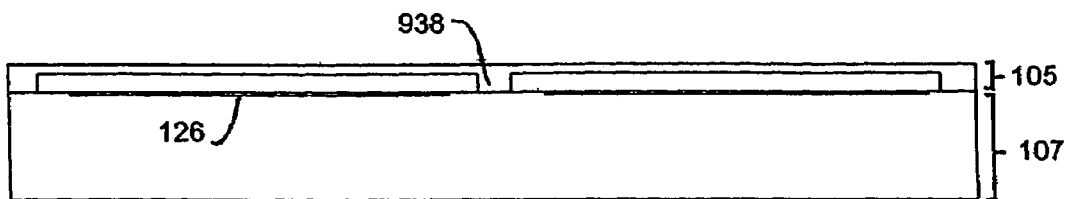


Figure 9g

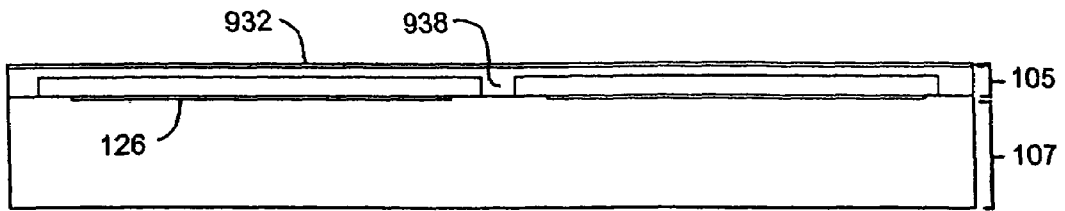


Figure 9h

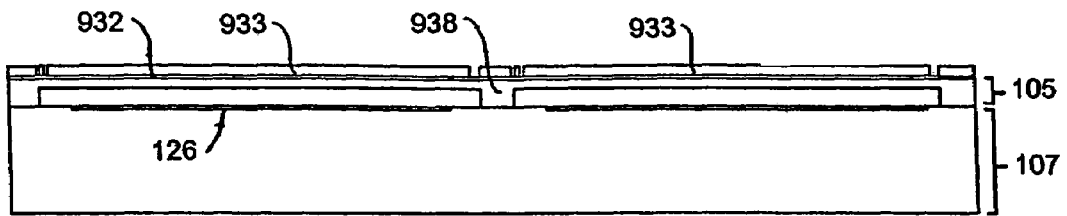


Figure 9i

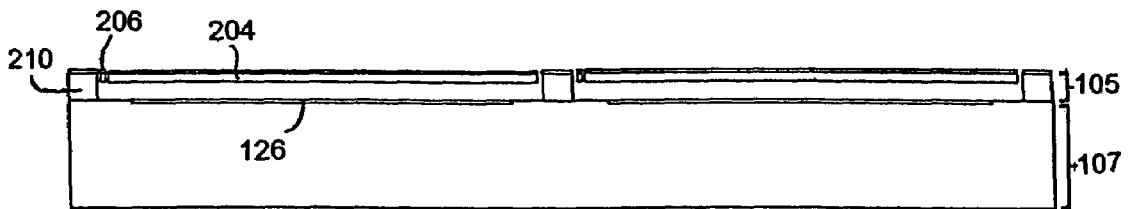


Figure 9j

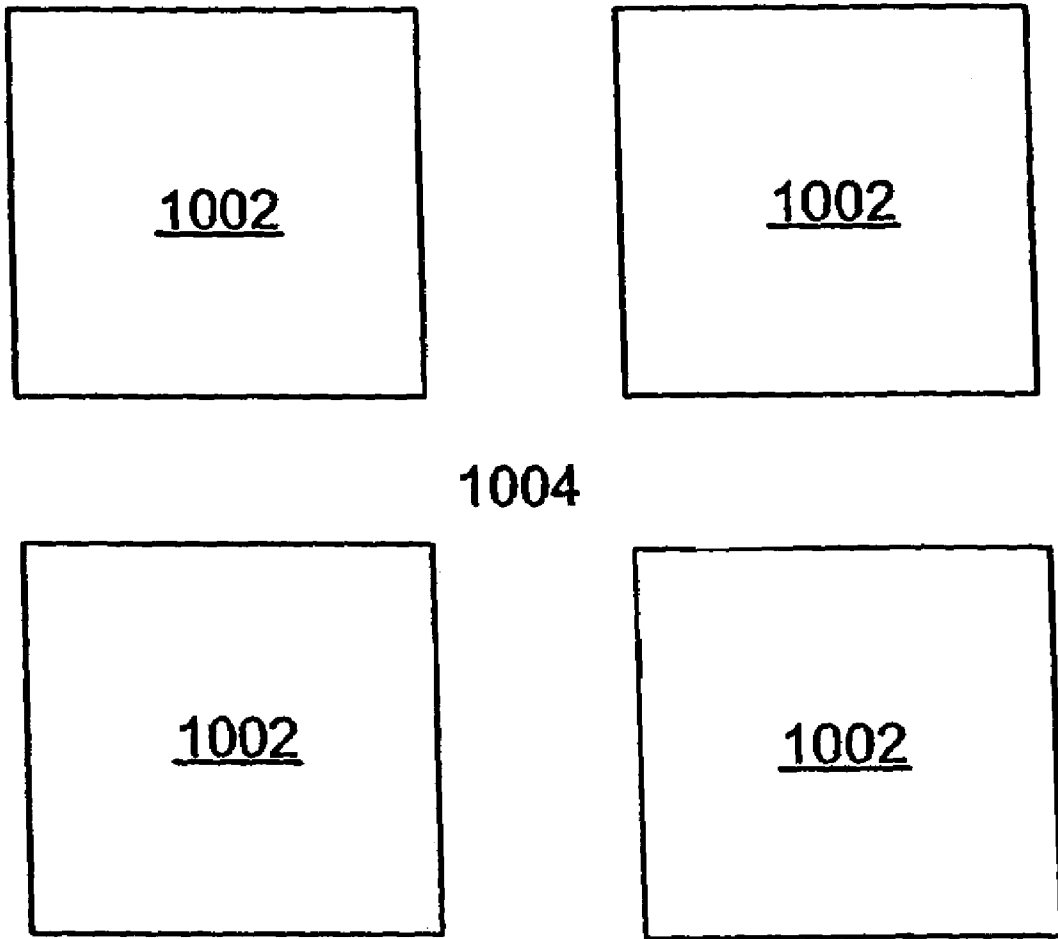


Figure 10

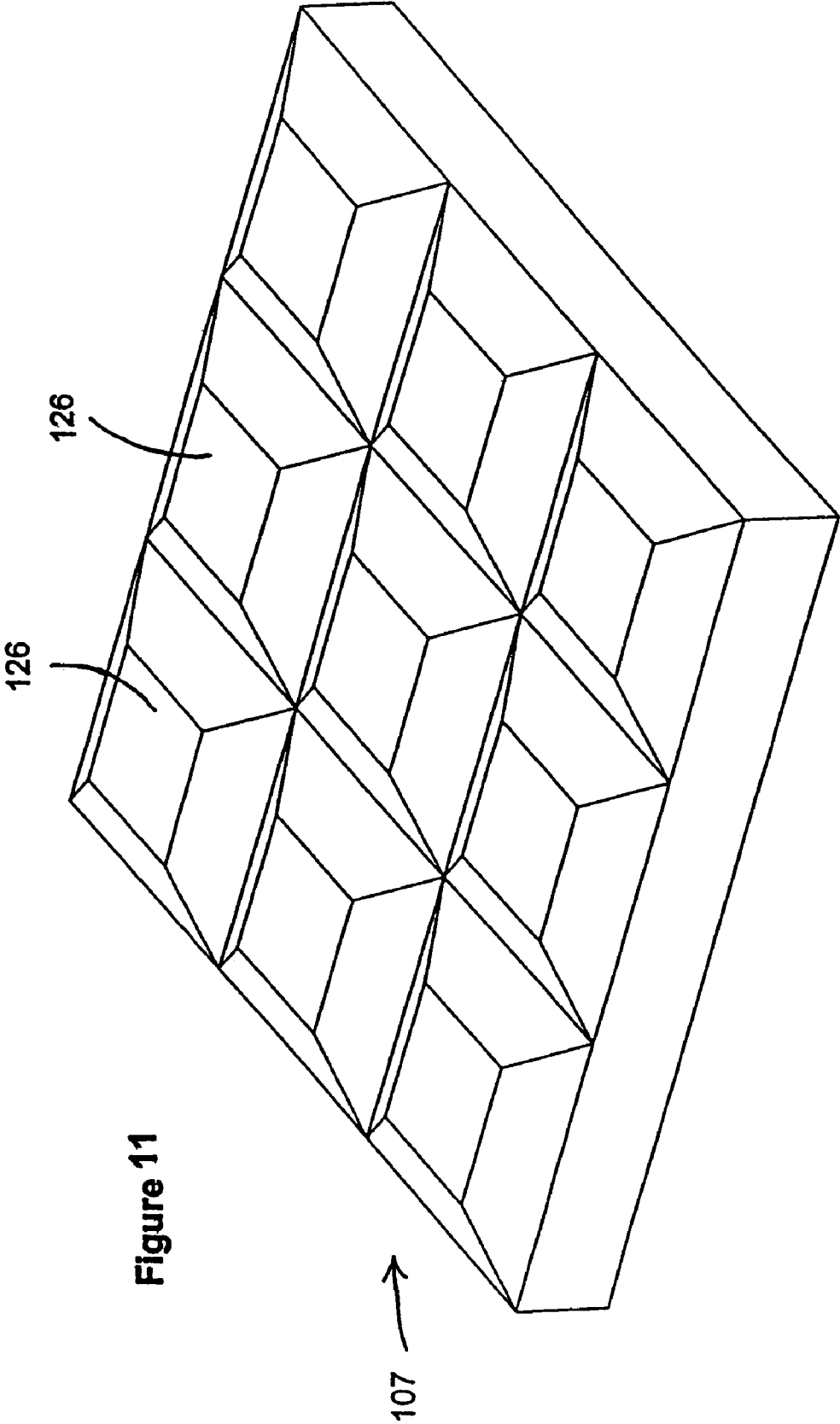


Figure 11

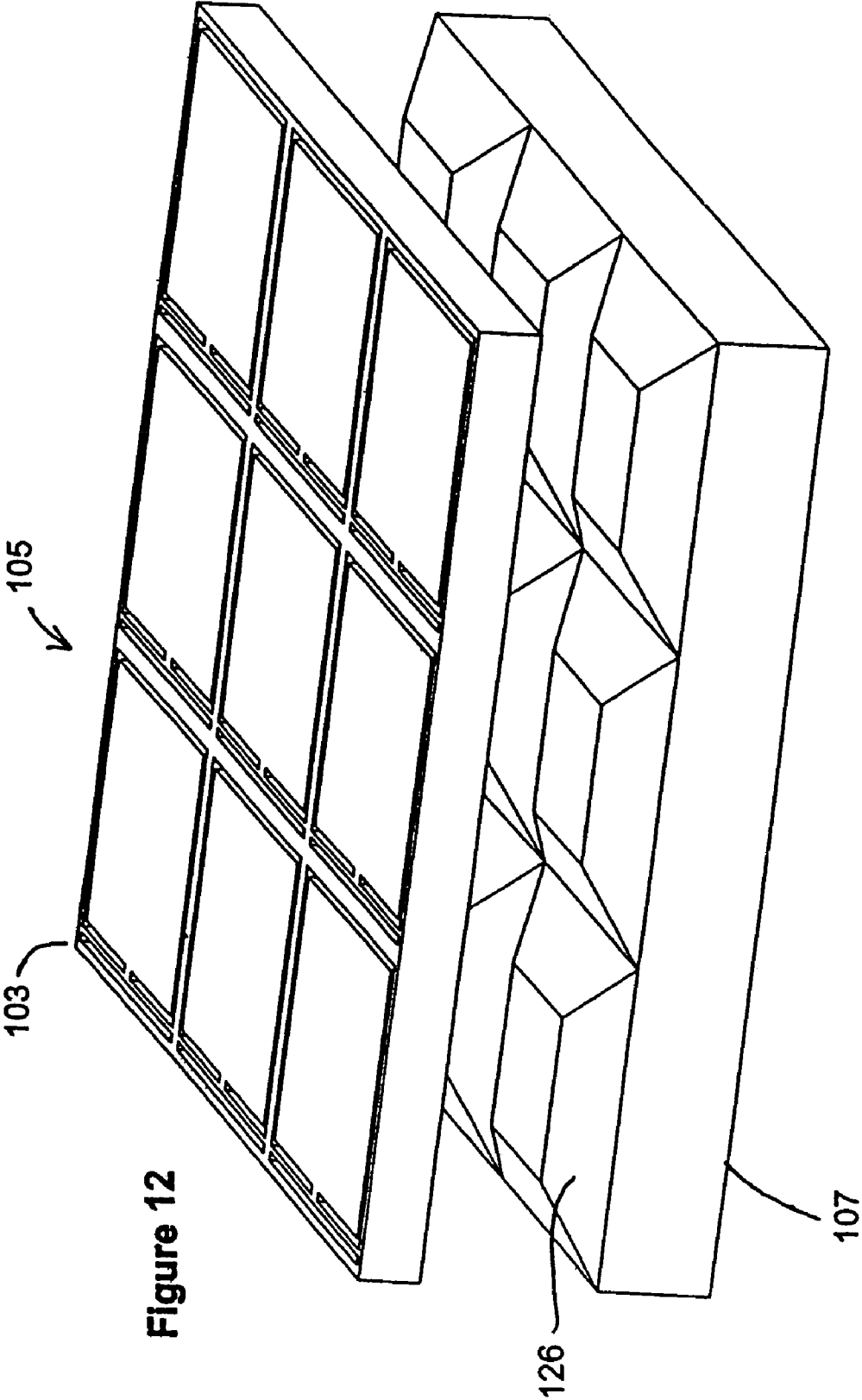


Figure 12

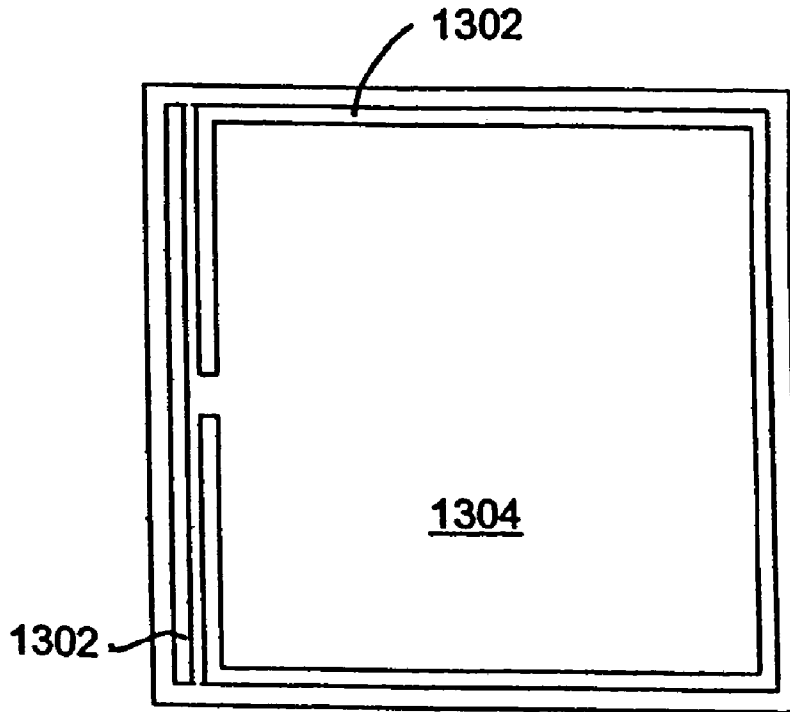
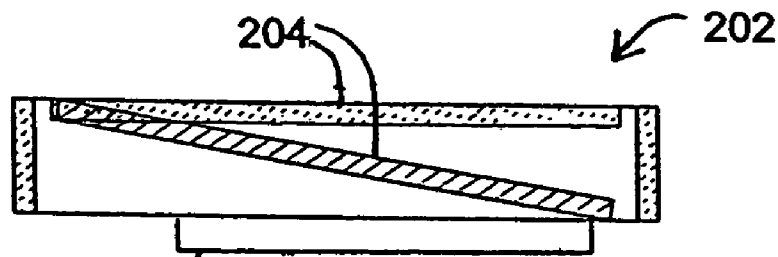


Figure 13



126

Figure 14

FABRICATION OF A REFLECTIVE SPATIAL LIGHT MODULATOR

CROSS-REFERENCE TO RELATED APPLICATION

The present patent application is a continuation of and claims the priority benefit of U.S. patent application Ser. No. 10/378,041, for "Fabrication of a Reflective Spatial Light Modulator," filed Feb. 27, 2003 now abandoned, which patent application claims priority from provisional U.S. Patent Application Ser. No. 60/390,389, for "Reflective Spatial Light Modulator," filed Jun. 19, 2002, the disclosures of which are incorporated by reference.

FIELD OF THE INVENTION

This invention relates to spatial light modulators (SLMs), and more particularly to a micro-mirror array with electronically addressable control circuitry for display applications.

BACKGROUND OF THE INVENTION

Spatial light modulators (SLMs) have numerous applications in the areas of optical information processing, projection displays, video and graphics monitors, televisions, and electrophotographic printing. Reflective SLMs are devices that modulate incident light in a spatial pattern to reflect an image corresponding to an electrical or optical input. The incident light may be modulated in phase, intensity, polarization, or deflection direction. A reflective SLM is typically comprised of an area or two-dimensional array of addressable picture elements (pixels) capable of reflecting incident lights. Source pixel data is first processed by an associated control circuit, then loaded into the pixel array, one frame at a time.

Prior art SLMs have various drawbacks. These drawbacks include: a lower than optimal optically active area (measured as what fraction of the device's surface area that is reflective, also called the "fill ratio") that reduces optical efficiency, rough reflective surfaces that reduce the reflectivity of the mirrors, diffraction that lowers the contrast ratio of the display, use of materials that have long-term reliability problems, and complex manufacturing processes that increase the expense of the product.

Many prior art devices include substantial non-reflective areas on their surfaces. This provides low fill ratios, and provides lower than optimum reflective efficiency. For example, U.S. Pat. No. 4,229,732 discloses MOSFET devices that are formed on the surface of a device in addition to mirrors. These MOSFET devices take up surface area, reducing the fraction of the device area that is optically active and reducing reflective efficiency. The MOSFET devices on the surface of the device also diffract incident light, which lowers the contrast ratio of the display. Further, intense light striking exposed MOSFET devices interfere with the proper operation of the devices, both by charging the MOSFET devices and overheating the circuitry.

Some SLM designs have rough surfaces, which also reduce reflective efficiency. For example, in some SLM designs the reflective surface is an aluminum film deposited on an LPCVD silicon nitride layer. It is difficult to control the smoothness of these reflective mirror surfaces as they are deposited thin films. Thus, the final product has rough surfaces, which reduce the reflective efficiency.

Another problem that reduces reflective efficiency with some SLM designs, particularly in some top hanging mirror

designs, is large exposed hinge surface areas. These large exposed hinge surface areas have to be blocked by a slab, typically made of tungsten, on top of the hinge to prevent the scattering of incident light. These slabs significantly reduce the optically active area and lower the reflective efficiency.

Many conventional SLMs, such as the SLM disclosed in U.S. Pat. No. 4,566,935, have hinges made of aluminum alloy. Aluminum, as well as other metals, is susceptible to fatigue and plastic deformation, which can lead to long-term reliability problems. Also, aluminum is susceptible to cell "memory", where the rest position begins to tilt towards its most frequently occupied position. Further, the mirrors disclosed in the U.S. Pat. No. 4,566,935 are released by undercutting the mirror surface. This technique often results in breakage of the delicate micro-mirror structures during release. It also requires large gaps between mirrors, which reduce the fraction of the device area that is optically active.

What is desired is an SLM with improved reflective efficiency, SLM device long-term reliability, and simplified manufacturing processes.

SUMMARY OF THE INVENTION

The present invention is a spatial light modulator (SLM). In one embodiment, the SLM has a reflective selectively deflectable micro mirror array fabricated from a first substrate bonded to a second substrate having individually addressable electrodes. The second substrate may also have addressing and control circuitry for the micro mirror array. Alternatively, portions of the addressing and control circuitry are on a separate substrate and connected to the circuitry and electrodes on the second substrate.

The micro mirror array includes a controllably deflectable mirror plate with a reflective surface to reflect incident light. The mirror plate is connected to a vertical hinge by a connector, and the hinge is in turn connected to spacer walls by support posts. Each of the mirror plate, the connector, the vertical hinge, the support posts, and the spacer walls is fabricated from a first substrate. This first substrate is a wafer of a single material, single crystal silicon in one embodiment. The spacer walls provide separation between the mirror plate and an electrode associated with that mirror plate that controls the deflection of the mirror plate, and is located on the second substrate bonded to the micro mirror array. The close spacing of the mirror plates and the vertical orientation of the hinge allow the reflective surfaces to have a very high fill ratio for the micro mirror array. Very little light gets past the micro mirror array to strike the circuitry on the second substrate.

The spatial light modulator is fabricated with few steps, which keeps the fabrication cost and complexity low. Cavities are formed in a first side of the first substrate. This is done in a single anisotropic etch in one embodiment. In parallel, the electrodes and addressing and control circuitry are fabricated on a first side of the second substrate. The first side of the first substrate is bonded to the first side of the second substrate. The sides are aligned so the electrodes on the second substrate are in proper relation with the mirror plates which the electrodes will control. The second side of the first substrate is thinned to the desired thickness. Optionally, a layer of reflective material may be deposited on a second side of the first substrate. A second anisotropic etch defines the support posts, the vertical hinges, and the connectors, and releases the mirror plates from the second side of the first substrate. Thus, the spatial light modulator may be fabricated by only two main etch steps.

BRIEF DESCRIPTION OF THE DRAWINGS

FIG. 1 is a diagram that illustrates the general architecture of a spatial light modulator according to one embodiment of the invention.

FIGS. 2a and 2b are perspective views of a single micro mirror.

FIGS. 3a and 3b are perspective views showing the top and sides of a micro mirror array.

FIGS. 4a and 4b are perspective views showing the bottom and sides of the micro mirror array.

FIGS. 5a and 5b are top views of the micro mirror array.

FIGS. 6a and 6b are bottom views of the micro mirror array.

FIGS. 7a-7d are perspective views showing the top, bottom, and sides of a single mirror of an alternate embodiment of the micro mirror array.

FIGS. 8a-8d are perspective views showing the top and bottom of the alternate micro mirror array.

FIG. 9a is a flowchart illustrating a preferred embodiment of how the spatial light modulator is fabricated.

FIGS. 9b through 9j are block diagrams illustrating the fabrication of the spatial light modulator in more detail.

FIG. 10 illustrates the generation of the mask and the etching that forms the cavities in the first substrate in more detail.

FIG. 11 is a perspective view of one embodiment of the electrodes formed on the second substrate.

FIG. 12 is a perspective view showing the micro mirror array on the first substrate positioned over the electrodes and other circuitry on the second substrate.

FIG. 13 illustrates a simplified embodiment of a mask that is used in etching the upper surface of the first substrate.

FIG. 14 is a cross-section of a portion of the two substrates bonded together.

DETAILED DESCRIPTION OF THE PREFERRED EMBODIMENTS

The reflective spatial light modulator ("SLM") 100 has an array 103 of deflectable mirrors 202. Individual mirrors 202 can be selectively deflected by applying a voltage bias between that mirror and a corresponding electrode 126. The deflection of each mirror 202 controls light reflected from a light source to a video display. Thus, controlling the deflection of a mirror 202 allows light striking that mirror 202 to be reflected in a selected direction, and thereby allows control of the appearance of a pixel in the video display.

Spatial Light Modulator Overview:

FIG. 1 is a diagram that illustrates the general architecture of an SLM 100 according to one embodiment of the invention. The illustrated embodiment has three layers. The first layer is a mirror array 103 that has a plurality of deflectable micro mirrors 202. In one preferred embodiment, the micro-mirror array 103 is fabricated from a first substrate 105 that is a single material, such as single crystal silicon.

The second layer is an electrode array 104 with a plurality of electrodes 126 for controlling the micro-mirrors 202. Each electrode 126 is associated with a micro-mirror 202 and controls the deflection of that micro-mirror 202. Addressing circuitry allows selection of a single electrode 126 for control of the particular micro-mirror 202 associated with that electrode 126.

The third layer is a layer of control circuitry 106. This control circuitry 106 has addressing circuitry, which allows the control circuitry 106 to control a voltage applied to selected electrodes 126. This allows the control circuitry 106

to control the deflections of the mirrors 202 in the mirror array 103 via the electrodes 126. Typically, the control circuitry 106 also includes a display control 108, line memory buffers 110, a pulse width modulation array 112, and inputs for video signals 120 and graphics signals 122. A microcontroller 114, optics control circuitry 116, and a flash memory 118 may be external components connected to the control circuitry 106, or may be included in the control circuitry 106 in some embodiments. In various embodiments, some of the above listed parts of the control circuitry 106 may be absent, may be on a separate substrate and connected to the control circuitry 106, or other additional components may be present as part of the control circuitry 106 or connected to the control circuitry 106.

In one embodiment, both the second layer 104 and the third layer 106 are fabricated using semiconductor fabrication technology on a single second substrate 107. That is, the second layer 104 is not necessarily separate and above the third layer 106. Rather, the term "layer" is an aid for conceptualizing different parts of the spatial light modulator 100. For example, in one embodiment, both the second layer 104 of electrodes is fabricated on top of the third layer of control circuitry 106, both fabricated on a single second substrate 107. That is, the electrodes 126, as well as the display control 108, line memory buffers 110, and the pulse width modulation array 112 are all fabricated on a single substrate in one embodiment. Integration of several functional components of the control circuitry 106 on the same substrate provides an advantage of improved data transfer rate over conventional spatial light modulators, which have the display control 108, line memory buffers 110, and the pulse width modulation array 112 fabricated on a separate substrate. Further, fabricating the second layer of the electrode array 104 and the third layer of the control circuitry 106 on a single substrate 107 provides the advantage of simple and cheap fabrication, and a compact final product.

After the layers 103, 104, and 106 are fabricated, they are bonded together to form the SLM 100. The first layer with the mirror array 103 covers the second and third layers 104, 106. The area under the mirrors 202 in the mirror array 103 determines how much room there is beneath the first layer 103 for the electrodes 126, and addressing and control circuitry 106. There is limited room beneath the micro mirrors 202 in the mirror array 103 to fit the electrodes 126 and the electronic components that form the display control 108, line memory buffers 110, and the pulse width modulation array 112. The present invention uses fabrication techniques (described more fully below) that allow the creation of small feature sizes, such as processes that allow fabrication of features of 0.18 microns, and processes that allow the fabrication of features of 0.13 microns or smaller. Conventional spatial light modulators are made through fabrication processes that do not allow such small features. Typically, conventional spatial light modulators are made through fabrication processes that limit feature size to approximately 1 micron or larger. Thus, the present invention allows the fabrication of many more circuit devices, such as transistors, in the limited area beneath the micro mirrors of the mirror array 103. This allows integration of items such as the display control 108, line memory buffers 110, and the pulse width modulation array 112 on the same substrate as the electrodes 126. Including such control circuitry 106 on the same substrate 107 as the electrodes 126 improves the performance of the SLM 100.

In other embodiments, various combinations of the electrodes 126 and components of the control circuitry may be fabricated on different substrates and electrically connected.

The Mirror:

FIG. 2a is a perspective view of a single micro mirror 202. In one preferred embodiment, the micro mirror 202 is fabricated from a wafer of a single material, such as single crystal silicon. Thus, the first substrate 105 in such an embodiment is a wafer of single crystal silicon. Fabricating the micro mirror 202 out of a single material wafer greatly simplifies the fabrication of the mirror 202. Further, single crystal silicon can be polished to create smooth mirror surfaces that have an order of magnitude smoother surface roughness than those of deposited films. Mirrors 202 fabricated from single crystal silicon are mechanically rigid, which prevents undesired bending or warping of the mirror surface, and hinges fabricated from single crystal silicon are durable, flexible, and reliable. In other embodiments, other materials may be used instead of single crystal silicon. One possibility is the use of another type of silicon (e.g. polysilicon, or amorphous silicon) for the micro mirror 202, or even making the mirror 202 completely out of a metal (e.g. an aluminum alloy, or tungsten alloy).

The micro mirror 202 has a top mirror plate 204. This mirror plate 204 is the portion of the micro mirror 202 that is selectively deflected by applying a voltage bias between the mirror 202 and a corresponding electrode 126. In one embodiment this reflective mirror plate 204 is substantially square in shape, and approximately fifteen microns by fifteen microns, for an approximate area of 225 square microns, although other shapes and sizes are also possible. In one preferred embodiment, a large proportion of the surface area of the micro mirror array 103 is made up of the areas of the mirror plates 204 of the micro mirrors 202.

The mirror plate 204 has a reflective surface that reflects light from a light source at an angle determined by the deflection of the mirror plate 204. This reflective surface may be the same material from which the micro mirror 202 is fabricated, in which case the surface of the mirror plate 204 is polished to a smoothness that provides the desired level of reflectivity. Alternatively, after fabrication of the micro-mirrors 202, a layer of reflective material, such as aluminum, may be added to the surface of the mirror plate 204. Since in a preferred embodiment a large proportion of the surface area of the micro mirror array 103 is made up of the areas of the mirror plates 204 of the micro mirrors, and the mirror plates 204 have reflective surfaces, a large proportion of the surface area of the micro mirror array 103 is reflective and capable of reflecting light at a selected angle. Thus, the SLM 100 has a large fill ratio, and efficiently reflects incident light.

The mirror plate 204 is connected to a torsion spring hinge 206 by a connector 216. The torsion spring hinge 206 is connected to a spacer support frame 210, which holds the torsion spring 206 in place. Note that other springs and connection schemes between the mirror plate 204, the hinge 206, and spacer support frame 210 could also be used. The torsion spring hinge 206 allows the mirror plate 204 to rotate relative to the spacer support frame 210 about an axis between the walls of the spacer support frame 210 when a force such as an electrostatic force is applied to the mirror plate 204 by applying a voltage between the mirror 202 and the corresponding electrode 126. This rotation produces the angular deflection for reflecting light in a selected direction. In one embodiment, this rotation occurs about an axis that is substantially collinear with the long axis of the hinge. In one preferred embodiment, the torsion spring hinge 206 has a “vertical” alignment. That is, the hinge 206 has a width 222 that is smaller than the depth of the hinge (perpendicular to the mirror plate 204 surface). The width of the hinge is

typically between 0.1 microns to 0.5 microns, and is approximately 0.2 microns in one embodiment. This “vertical” alignment of the hinge functions to help minimize non-reflective surfaces on the surface of the mirror array 103, and keep the fill ratio high. Also in one preferred embodiment, the

The spacer support frame 210 separates the mirror plate 204 from the electrodes and addressing circuitry so that the mirror plate 204 may deflect downward without contacting the electrodes and other circuitry below. The spacer support frame 210 includes spacer walls in one embodiment, which are typically not separate components from the rest of the spacer support frame 210. These walls help define the height of the spacer support frame 210. The height of the spacers 210 is chosen based on the desired separation between the mirror plates 204 and the electrodes 126, and the topographic design of the electrodes. A larger height allows more deflection of the mirror plate 204, and a higher maximum deflection angle. A larger deflection angle provides a better contrast ratio. In one embodiment, the maximum deflection angle of the mirror plate 204 is 20 degrees. The spacer support frame 210 also provides support for the hinge 206 and spaces the mirror plate 204 from other mirror plates 204 in the mirror array 103. The spacer support frame 210 has a spacer wall width 212, which, when added to a gap between the mirror plate 204 and the support frame 210, is substantially equal to the distance between adjacent mirror plates 204 of adjacent micro mirrors 202. In one embodiment, the spacer wall width 212 is 1 micron or less. In one preferred embodiment, the spacer wall width 212 is 0.5 microns or less. This places the mirror plates 204 closely together to increase the fill ratio of the mirror array 103.

In some embodiments, the micro mirror 202 includes elements that stop the deflection of the mirror plate 204 when the plate 204 has deflected downward to a predetermined angle. Typically, these elements include a motion stop and a landing tip. When the mirror surface 204 deflects, the motion stop on the mirror plate 204 contacts the landing tip. When this occurs, the mirror plate 204 can deflect no further. There are several possible configurations for the motion stop and landing tip. In one embodiment, a landing tip is fabricated on the spacer frames 210 opposite to the hinge side. The maximum tilt angle of mirror plate 204 will be limited by the landing tip on the spacer frames 210 which stops the downward mechanical motion of the mirror plate 204. Having a fixed maximum tilt angle simplifies controlling the spatial light modulator 100 to reflect incident light in a known direction.

In another embodiment, landing tips are fabricated along with the electrodes 126 on the second substrate 107. The landing tips of this embodiment may be fabricated from an insulator, such as silicon dioxide, to prevent a short circuit between the mirror plate 204 and the electrode 126. The maximum tilt angle of the mirror plate 204 is limited in this embodiment by the angle at which the mirror plate 204 contacts the landing tip on the second substrate 107. The height of the spacers 210 affects this angle; higher spacers 210 allow larger angles than lower ones. The landing tip on the second substrate 107 can be a protruding bump, which reduces the total surface area actually in contact. The bumps can be held at the same electrical potential as the mirror plate 204 to avoid welding on contact.

In yet another embodiment, the gap between the mirror plate 204 and the hinge 206 is accurately fabricated so when the mirror plate 204 tilts to a predetermined angle, the corners of the plate 204 near the hinge 206 will contact the ends of the hinge 206, which act as mechanical stops. This

occurs because the section of the hinge **206** connected to the mirror plate **204** deflects along with the mirror plate **204**, but the sections of the hinge **206** near the support wall **210** remain relatively undeflected. For example, with a height of the torsion hinge **206** being 1 micron, a gap of 0.13 microns

between the support wall and the hinge **206** will result in a maximum tilting angle of the mirror plate **204** of 15 degrees. In one preferred embodiment, the motion stop and landing tip are both made out of the same material as the rest of the mirror **202**, and are both fabricated out of the first substrate **105**. In embodiments where the material is single crystal silicon, the motion stop and landing tip are therefore made out of a hard material that has a long functional lifetime, which allows the mirror array **103** to last a long time. Further, because single crystal silicon is a hard material, the motion stop and landing tip can be fabricated with a small area where the motion stop contacts the landing tip, which greatly reduces sticking forces and allows the mirror plate **204** to deflect freely. Also, this means that the motion stop and landing tip remain at the same electrical potential, which prevents sticking that would occur via welding and charge injection processes were the motion stop and landing tip at different electrical potentials.

FIG. **2b** is a perspective view illustrating the underside of a single micro mirror **202**, including the support walls **210**, the mirror plate **204**, the hinge **206**, and the connector **216**.

FIG. **3a** is a perspective view showing the top and sides of a micro mirror array **103** having nine micro mirrors **202-1** through **202-9**. While FIG. **3a** shows the micro mirror array **103** with three rows and three columns, for a total of nine micro mirrors **202**, micro mirror arrays **103** of other sizes are also possible. Typically, each micro mirror **202** corresponds to a pixel on a video display. Thus, larger arrays **103** with more micro mirrors **202** provide a video display with more pixels. Since the hinges **206** in the mirror array **103** all face in parallel along one direction, light sources are directed at the mirrors **202** in the array **103** along a single direction to be reflected to form a projected image on the video display.

As shown in FIG. **3a**, the surface of the micro mirror array **103** has a large fill ratio. That is, most of the surface of the micro mirror array **103** is made up of the reflective surfaces of the mirror plates **204** of the micro mirrors **202**. Very little of the surface of the micro mirror array **103** is nonreflective. As illustrated in FIG. **3a**, the nonreflective portions of the micro mirror array **103** surface are the areas between the reflective surfaces of the micro mirrors **202**. For example, the width of the area between mirror **202-1** and **202-2** is determined by the spacer wall width **212** and the sum of the width of the gaps between the mirror plates **204** of mirrors **202-1** and **202-2** and the support wall **210**. The gaps and the spacer wall width **212** can be made as small as the feature size supported by the fabrication technique. Thus, in one embodiment, the gaps are 0.2 micron, and in another embodiment the gaps are 0.13 micron. As semiconductor fabrication techniques allow smaller features, the size of the spacer wall **210** and the gaps can decrease to allow higher fill ratios. FIG. **3b** is a perspective view detailing one mirror **202** of the mirror array **103** of FIG. **3a**. Embodiments of the present invention allow fill ratios of 85%, 90%, or even higher.

FIG. **4a** is a perspective view showing the bottom and sides of the micro mirror array **103** shown in FIG. **3**. As shown in FIG. **4a**, the spacer support frames **210** of the micro mirrors **202** define cavities beneath the mirror plates **204**. These cavities provide room for the mirror plates **204** to deflect downwards, and also allow large areas beneath the mirror plates **204** for placement of the second layer **104** with

the electrodes **126**, and/or the third layer with the control circuitry **106**. FIG. **4b** is a perspective view detailing one mirror **202** of the mirror array **103** of FIG. **4a**.

FIG. **5a** is a top view of the micro mirror array **103** having nine micro mirrors **202-1** through **202-9** shown in FIGS. **3a** and **4a**. For example, for micro mirror **202-1**, FIG. **5a** illustrates the mirror plate **204**, the spacer support frame **210**, the torsion spring **206**, and the connector **216** connecting the mirror plate **204** to the torsion spring **206**. FIG. **5a** also clearly illustrates, as described above with respect to FIG. **3a**, that the micro mirror array **103** has a large fill ratio. Most of the surface of the micro mirror array **103** is made up of the reflective surfaces of the micro mirrors **202-1** through **202-9**. FIG. **5a** clearly illustrates how fill ratio is determined by the areas of the reflective mirror plates **204** and the areas between the reflective surfaces of the mirror plates **204**. The size of the areas between the reflective surfaces of the mirror plates **204** in one embodiment is limited by the feature size limit of the fabrication process. This determines how small the gaps between the mirror plate **204** and the spacer wall **210** can be made, and how thick the spacer wall **210** is. Note that, while the single mirror **202** as shown in FIG. **2** has been described as having its own spacer support frame **210**, there are not typically two separate abutting spacer walls **210** between mirrors such as mirrors **202-1** and **202-2**. Rather, there is typically one physical spacer wall of the support frame **210** between mirrors **202-1** and **202-2**. FIG. **5b** is a perspective view detailing one mirror **202** of the mirror array **103** of FIG. **5a**.

FIG. **6a** is a bottom view of the micro mirror array **103** having nine micro mirrors **202-1** through **202-9**, as shown in FIGS. **3** through **5**. FIG. **6a** shows the bottom of the mirror plates **204**, as well as the bottoms of the spacer support frames **210**, the torsion springs **206**, and the connectors **216**. The area beneath the mirror plates **204** is large enough in many embodiments to allow the optimum design and placement of electrodes **126** and control circuitry **106**, and space for accommodating a possible mirror landing tip. FIG. **6b** is a perspective view detailing one mirror **202** of the mirror array **103** of FIG. **6a**.

As seen in FIGS. **5a** and **6a**, very little light that is normal to the mirror plate **204** can pass beyond the micro mirror array **103** to reach any the electrodes **126** or control circuitry **106** beneath the micro mirror array **103**. This is because the spacer support frame **210**, the torsion spring **206**, the connector **216**, and the mirror plate **204** provide near complete coverage for the circuitry beneath the micro mirror array **103**. Also, since the spacer support frame **210** separates the mirror plate **204** from the circuitry beneath the micro mirror array **103**, light traveling at a non perpendicular angle to the mirror plate **204** and passing beyond the mirror plate **204** is likely to strike a wall of the spacer support frame **210** and not reach the circuitry beneath the micro mirror array **103**. Since little intense light incident on the mirror array **103** reaches the circuitry, the SLM **100** avoids problems associated with intense light striking the circuitry. These problems include the incident light heating up the circuitry, and the incident light photons charging circuitry elements, both of which can cause the circuitry to malfunction.

In FIGS. **3-6** each micro mirror **202** in the micro mirror array **103** has its torsion spring **206** on the same side. In one alternate embodiment, different micro mirrors **202** in the micro mirror array **103** have torsion springs **206** on different sides. For example, returning to FIG. **3a**, mirrors **202-1** and **202-3** would have springs **206** on the same side as illustrated. Mirror **202-2**, in contrast, would have a spring **206** on a different side so that the spring **206** of mirror **202-2** is

perpendicular to the springs 206 of mirrors 202-1 and 202-3. This allows the mirror plates 204 of the different micro mirrors 202-1 and 202-2 to deflect in different directions, which gives the mirror array 103 as a whole more than one controllable degree of freedom. In this alternate embodiment, two different light sources (for example, light sources with differently colored light) can be directed toward the micro mirror array 103 and separately selectively redirected by the micro mirrors 202 in the micro mirror array 103 form an image on a video display. In such an embodiment, multiple micro mirrors 202 can be used to reflect light from the multiple light sources to the same pixel in the video display. For example, two different color light sources can be directed toward the mirror array 103 along different directions, and reflected by the array 103 to form a multicolor image on a video display. The micro mirrors 202-1 and 202-3 with torsion springs 206 on a first side control the reflection of a first light source to the video display. The micro mirrors such as micro mirror 202-2 with torsion springs 206 on a different second side control the reflection of a second light source to the video display.

FIG. 7a is a perspective view of a micro mirror 702 according to an alternate embodiment of the invention. The torsion hinge 206 in this embodiment is diagonally oriented with respect to the spacer support wall 210, and divides the mirror plate 204 into two parts, or sides: a first side 704 and a second side 706. Two electrodes 126 are associated with the mirror 702, one electrode 126 for a first side 704 and one electrode 126 for a second side 706. This allows either side 704, 706 to be attracted to one of the electrodes 126 beneath and pivot downward, and provides more total range of angular motion for the same support wall 210 height as compared to the mirror illustrated in FIGS. 2-6. FIG. 7b is a more detailed view of the mirror 702 and illustrates the mirror plate 204, hinge 206, and support wall 210. FIGS. 7c and 7d illustrate the underside of a single mirror 702 and a more detailed view of the interior corner of the mirror 702. In other embodiments, the hinge 206 may be substantially parallel to one of the sides of the mirror plate 204, rather than diagonal, and still be positioned to divide the mirror plate 204 into two parts 704, 706.

FIGS. 8a through 8d are various perspective views of mirror arrays composed of multiple micro mirrors 702 as described in FIGS. 7a through 7d. FIGS. 8a and 8b illustrate the top of a mirror 702 array and a more detailed view of one mirror 702 in the array. FIGS. 8c and 8d illustrate the underside of a mirror 702 array and a more detailed view of one mirror 702 in the array.

Fabrication of the Spatial Light Modulator:

FIG. 9a is a flowchart illustrating one preferred embodiment of how the spatial light modulator 100 is fabricated. FIGS. 9b through 9g are block diagrams illustrating the fabrication of the spatial light modulator 100 in more detail. In summary, the micro mirrors 202 are partially fabricated on the first substrate 105. Separately, some or all of the electrodes, addressing circuitry, and control circuitry are fabricated on the second substrate 107. The first and second substrates 105 and 107 are then bonded together. The first substrate 105 is thinned, then lithography and etch steps follow. Then the fabrication of the micro mirrors 202 is completed. Final steps, including packaging, complete the spatial light modulator 100. In one embodiment, the mirror array 103 is fabricated from a wafer of single crystal silicon using only anisotropic dry etch methods, only two etches are done to fabricate the mirror array 103, and the circuitry is fabricated using standard CMOS techniques. This provides an easy and inexpensive way to fabricate the SLM 100.

Conventional spatial light modulators are fabricated with surface micro machining techniques that include etching, deposition of structural layers, deposition and removal of sacrificial layers. These conventional MEMS fabrication techniques result in poor yield, poor uniformity, and result feature sizes of approximately 1 micron or larger. In contrast, one embodiment of the present invention uses semiconductor fabrication techniques, which do not include sacrificial layers, have much higher yields, and allow creation of features of 0.13 microns or smaller.

Referring to FIG. 9a, a first mask is generated 902 to initially partially fabricate the micro mirrors 202. This mask defines what will be etched from one side of the first substrate 105 to form the cavities on the underside of the micro mirror array 103 that define the spacer support frames 210 and support posts 208. Standard techniques, such as photolithography, can be used to generate the mask on the first substrate. As mentioned previously, in one preferred embodiment the micro mirrors 202 are formed from a single material, such as single crystal silicon. Thus, in one preferred embodiment, the first substrate 105 is a wafer of single crystal silicon. Note that typically multiple micro mirror arrays 103, to be used in multiple SLMs 100, are fabricated on a single wafer, to be separated later. The structures fabricated to create the micro mirror array 103 are typically larger than the features used in CMOS circuitry, so it is relatively easy to form the micro mirror array 103 structures using known techniques for fabricating CMOS circuitry. FIG. 9b is a side view that illustrates the first substrate 105 prior to fabrication. The substrate 105 initially includes a device layer 938, which is the material from which the mirror array 103 will be fabricated, an insulating oxide layer 936, and a handling substrate 934. FIG. 9c is a side view that illustrates the first substrate 105 with the mask upon it.

After the mask is generated 902, in a preferred embodiment, the first substrate 105 is anisotropically ion etched 904 to form the cavities beneath the mirror plates 204. Put in another way, a "well" is formed in the first substrate for every micro mirror 202. Other methods besides an anisotropic ion etch may also be used to form the cavities or "wells," such as a wet etch or a plasma etch. FIG. 9d is a block diagram that shows the first substrate 105 with the cavities etched.

Separately from the fabrication of the cavities beneath the mirror plates 204, the electrodes 126 and control circuitry 106 are fabricated 906 on the second substrate 107. The second substrate 107 may be a transparent material, such as quartz, or another material. If the second substrate is quartz, transistors may be made from polysilicon, as compared to crystalline silicon. The circuitry can be fabricated 906 using standard CMOS fabrication technology. For example, in one embodiment, the control circuitry 106 fabricated 906 on the second substrate 107 includes an array of memory cells, row address circuitry, and column data loading circuitry. There are many different methods to make electrical circuitry that performs the addressing function. The DRAM, SRAM, and latch devices commonly known may all perform the addressing function. Since the mirror plate 204 area may be relatively large on semiconductor scales (for example, the mirror plate 204 may have an area of 225 square microns), complex circuitry can be manufactured beneath micro mirror 202. Possible circuitry includes, but is not limited to, storage buffers to store time sequential pixel information, circuitry to compensate for possible non-uniformity of mirror plate 204 to electrode 126 separation distances by

driving the electrodes 126 at varying voltage levels, and circuitry to perform pulse width modulation conversions.

This control circuitry 106 is covered with a passivation layer such as silicon oxide or silicon nitride. Next, a metallization layer is deposited. This metallization layer is patterned and etched to define electrodes 126, as well as a bias/reset bus in one embodiment. The electrodes 126 are placed during fabrication so that one or more of the electrodes 126 corresponds to each micro mirror 202. As with the first substrate 105, typically multiple sets of circuitry to be used in multiple SLMs 100 are fabricated 906 on the second substrate 107 to be separated later.

Next, the first and second substrates are bonded 910 together. The side of the first substrate 105 that has the cavities is bonded to the side of the second substrate 107 that has the electrodes. The substrates 105 and 107 are aligned so that the electrodes on the second substrate 107 are in the proper position to control the deflection of the micro mirrors 202 in the micro mirror array 103. In one embodiment, the two substrates 105 and 107 are optically aligned using double focusing microscopes by aligning a pattern on the first substrate 105 with a pattern on the second substrate 107, and the two substrates 105 and 107 are bonded together by low temperature bonding methods such as anodic or eutectic bonding. There are many possible alternate embodiments to the fabrication 906. For example, thermoplastics or dielectric spin glass bonding materials can be used, so that the substrates 105 and 107 are bonded thermal-mechanically. FIG. 9e is a side view that shows the first and second substrates 105, 107 bonded together.

After bonding the first and second substrates 105 and 107 together, the surface of the first substrate 105 that has not been etched is thinned 912 to a desired thickness. First, the handling substrate 934 is removed, as shown in FIG. 9f, typically by grinding or etching. Then the oxide 936 is removed. Then, the device layer 938 is thinned or polished, if necessary. This thinning is done in one embodiment by mechanical grinding the substrate 105 to a thickness between the bottom of the fabricated "well" and the opposing surface of the first substrate 105 that is near the desired thickness of the micro mirror 202. In one embodiment, this thickness achieved by mechanical grinding is approximately 5 microns. The substrate 105 is then polished by mechanical fine polishing or chemical mechanical polishing to thickness desired between the bottom of the "well" and the opposing surface of the first substrate 105. This thickness defines the thickness of the mirror plates 204. In one embodiment, this desired thickness is less than approximately 1 micron or less. FIG. 9g is a side view showing the bonded first and second substrates 105, 107 after the first substrate 105 has been thinned.

Next, the reflective surface of the micro mirror 202 is created. This can be done through polishing 913 the first substrate 105 so that the surface of the first substrate 105 is reflective. It is also possible to deposit 914 a layer of a reflective material on the first substrate 105 to create a reflective surface. Other methods to create a reflective surface may also be used.

In one embodiment, a reflective layer of aluminum is deposited 914. The thinned surface of the first substrate 105 is coated with approximately 10 nm of titanium seed thin film. Then an approximately 30 nm thick layer of aluminum is deposited to form a reflective layer with a reflectivity above 95% over much of the visible optical spectrum. FIG. 9h is a side view that shows a deposited reflective layer 932.

The reflective surface of the first substrate 105 is then masked and, in a preferred embodiment, high-aspect-ratio

anisotropically ion etched 916 to finish forming the micro mirror array 103 and release the mirror plates 204. This second etch defines the mirror plate 204, the torsion spring hinge 206, and the connector 216. Thus, it only takes two etchings of the first substrate 105 to fabricate the micro mirrors 202. This significantly decreases the cost of fabricating the micro mirrors 202. FIG. 9i is a block diagram showing the surface of the first substrate 105 covered with the mask 933, and FIG. 9j is a block diagram showing the spatial light modulator 100 after the second etching, including the mirror plate 204, the hinge 206, the spacer support frame 210, and the electrode 126.

In some embodiments, the hinges 206 are partially etched to be recessed from the surface of the mirror plates 204. Also, in some embodiments a reflective surface is deposited 914 after the second etch that defines the mirror plate 204, the torsion spring hinge 206, and the connector 216. Such a reflective layer may be deposited by, for example, evaporating aluminum downwardly at an angle such that the horizontal vector of the angle is from mirror plate 204 to hinges 206. With this angle, and if the hinges 206 were etched so that they are recessed from the surface of the mirror plates 204, it is possible to deposit substantially no reflective coating on the surfaces of recessed hinges 206 to minimize the optical scattering of incident light by the surfaces of the torsion hinges 206. The evaporation may occur, for example, in the reaction chamber of an e-gun thermal evaporator at a deposition rate of one nanometer per second.

In some embodiments, the micro-mirror array 103 is protected by a piece of glass or other transparent material. In one embodiment, during fabrication of the micro mirror array 103, a rim is left around the perimeter of each micro mirror array 103 fabricated on the first substrate 105. To protect the micro mirrors 202 in the micro mirror array 103, a piece of glass or other transparent material is bonded 918 to the rim. This transparent material protects the micro mirrors 202 from physical harm. In one alternative embodiment, lithography is used to produce an array of rims in a layer of photosensitive resin on a glass plate. Then epoxy is applied to the upper edge of the rims, and the glass plate is aligned and attached to the completed reflective SLM 100.

As discussed above, multiple spatial light modulators 100 may be fabricated from the two substrates 105 and 107; multiple micro mirror arrays 103 may be fabricated in the first substrate 105 and multiple sets of circuitry may be fabricated in the second substrate 107. Fabricating multiple SLMs 100 increases the efficiency of the spatial light modulator 100 fabrication process. However, if multiple SLMs 100 are fabricated at once, they must be separated into the individual SLMs 100. There are many ways to separate each spatial light modulator 100 and ready it for use. In a first method, each spatial light modulator 100 is simply die separated 920 from the rest of the SLMs 100 on the combined substrates 105 and 107. Each separated spatial light modulator 100 is then packaged 922 using standard packaging techniques.

In a second method, a wafer-level-chip-scale packaging is carried out to encapsulate each SLM 100 into separate cavities and form electrical leads before the SLMs 100 are separated. This further protects the reflective deflectable elements and reduces the packaging cost. In one embodiment of this method, the backside of the second substrate 107 is bonded 924 with solder bumps. The backside of the second substrate 107 is then etched 926 to expose metal connectors that were formed during fabrication of the circuitry on the second substrate 107. Next, conductive lines

are deposited **928** between the metal connectors and the solder bumps to electrically connect the two. Finally, the multiple SLMs are die separated **930**.

FIG. **10** illustrates the generation **902** of the mask **1000** and the etching **904** that forms the cavities in the first substrate in more detail. In a preferred embodiment, the first substrate is a wafer of single crystal silicon. Oxide is deposited and patterned on the first substrate. This results in the pattern shown in FIG. **10**, where area **1004** is oxide that will prevent the substrate beneath from being etched, and areas **1002** are areas of exposed substrate. The areas of exposed substrate **1002** will be etched to form the cavities. The areas **1004** that are not etched remain, and form the spacer support posts **208** and the spacer support frame **210**.

In one embodiment, the substrate is etched in a reactive ion etch chamber flowing with SF₆, HBr, and oxygen gases at flow rates of 100 sccm, 50 sccm, and 10 sccm respectively. The operating pressure is in the range of 10 to 50 mTorr, the bias power is 60 W, and the source power is 300 W. In another embodiment, the substrate is etched in a reactive ion etch chamber flowing with C12, HBr, and oxygen gases at flow rates of 100 sccm, 50 sccm, and 10 sccm respectively. In these embodiments, the etch processes stop when the cavities are about 3–4 microns deep. This depth is measured using in-situ etch depth monitoring, such as in-situ optical interferometer techniques, or by timing the etch rate.

In another embodiment, the cavities are formed in the wafer by an anisotropic reactive ion etch process. The wafer is placed in a reaction chamber. SF₆, HBr, and oxygen gases are introduced into the reaction chamber at a total flow rate of 100 sccm, 50 sccm, and 20 sccm respectively. A bias power setting of 50 W and a source power of 150 W are used at a pressure of 50 mTorr for approximately 5 minutes. The wafers are then cooled with a backside helium gas flow of 20 sccm at a pressure of 1 mTorr. In one preferred embodiment, the etch processes stop when the cavities are about 3–4 microns deep. This depth is measured using in-situ etch depth monitoring, such as in-situ optical interferometer techniques, or by timing the etch rate.

FIG. **11** is a perspective view of one embodiment of the electrodes **126** formed on the second substrate **107**. In this embodiment, each micro mirror **202** has a corresponding electrode **126**. The electrodes **126** in this illustrated embodiment are fabricated to be higher than the rest of the circuitry on the second substrate **107**. As shown in FIG. **11**, material on the sides of the electrodes **126** slopes down from the electrodes' top surface in a somewhat pyramid shape. In other embodiments, the electrodes **126** are located on the same level as the rest of the circuitry on the second substrate **107**, rather than extending above the circuitry. In one embodiment of the invention, the electrodes **126** are individual aluminum pads of approximately 10×10 microns in size. These electrodes **126** are fabricated on the surface of the second substrate **107**. The large surface area of the electrodes **126** in this embodiment results in relatively low addressing voltages required to pull the mirror plate **204** down onto the mechanical stops, to cause the full predetermined angular deflection of the mirror plates **204**.

FIG. **12** is a perspective view showing the micro mirror array **103** on the first substrate **105** positioned over the electrodes **126** and other circuitry on the second substrate **107**. This illustrates the relative positions of the micro mirrors **202** in the micro mirror array **103** and the electrodes prior to bonding **910** the first and second substrates **105** and **107** together. Note that, for illustrative purposes, the micro mirrors **202** in the micro mirror array **103** are shown as

completed micro mirrors **202**. However, in a preferred embodiment, as described with respect to FIG. **9a**, only the cavities beneath the mirror plates **204** in the first substrate **105** would have been etched prior to bonding the first substrate **105** to the second substrate **107**. The mirror plate **204**, hinges **206**, and connectors **216** would not be fabricated yet. In embodiments where the electrodes **126** are located above the level of the rest of the circuitry and material on the side of the electrodes **126** slopes down, the sloping material helps correctly position the first substrate **105** on the second substrate **107**.

FIG. **13** illustrates a simplified embodiment of a mask that is used in etching **916** the upper surface of the first substrate **105**. In the etching **916** step, areas **1302** are left exposed and are etched to release the mirror plates **204** and form the torsion springs **206**, the connectors **216**, and the support posts **208**. Other areas **1304** are covered with photoresist material and are not etched. These areas include the mirror plates **204** themselves and the material that will form the hinges **206**. As shown in FIG. **13**, most of the surface of the mirror array **103** is reflective. The fabrication process only creates small nonreflective gaps that separate the mirror plates **204** from the support walls **210** and hinges **206**.

The upper surface of the first substrate **105** is etched to release the mirror plates **204** and form the hinges. **206** after the upper surface of the first substrate **105** is masked. In one embodiment, it is etched in a reactive ion etch chamber flowing with SF₆, HBr, and oxygen gases at a flow rate of 100 sccm, 50 sccm, and 10 sccm respectively. The operating pressure is in the range of 10 to 50 mTorr, and the bias power of 60 W and a source power 300 W. Since the etch depth is typically less than 1 micron, there are several other fabrication processes can achieve the same goal. Another embodiment uses C12 and oxygen gases at an operating pressure of 10 mTorr to 50 mTorr with bias and source power settings of the etching reaction chamber of 50 W and 300 W, respectively, to achieve tight dimension control. The etch process is stopped at the desired depth (in one embodiment, about 5 microns deep) using in-situ etch depth monitoring or by timing the etch rate.

Operation:

In operation, individual reflective elements are selectively deflected and serve to spatially modulate light that is incident to and reflected by the mirrors.

FIG. **14** is a cross-section that shows the micro mirror **202** above an electrode **126**. In operation, a voltage is applied to an electrode **126** to control the deflection of the corresponding mirror plate **204** above the electrode **126**. As shown in FIG. **14**, when a voltage is applied to the electrode **126**, the mirror plate **204** is attracted to the electrode. This causes the mirror plate **204** to rotate about the torsion spring **206**. When the voltage is removed from the electrode **126**, the hinge **206** causes the mirror plate **204** to spring back upward. Thus, light striking the mirror plate **204** is reflected in a direction that can be controlled by the application of voltage to the electrode.

One embodiment is operated as follows. Initially the mirror plate is undeflected. In this unbiased state, an incoming light beam, from a light source, obliquely incident to SLM **100** is reflected by the flat mirror plates **204**. The outgoing, reflected light beam may be received by, for example, an optical dump. The light reflected from the undeflected mirror plate **204** is not reflected to a video display.

When a voltage bias applied between the mirror plate **204** and the bottom electrode **126**, the mirror plate **204** is deflected due to electrostatic attraction. Because of the

15

design of the hinge 206, the free end of the mirror plate 204 is deflected towards the second substrate 107. Note that in one preferred embodiment substantially all the bending occurs in the hinge 206 rather than the mirror plate 204. This may be accomplished in one embodiment by making the hinge width 222 thin, and connecting the hinge 206 to the support posts 208 only on both ends. The deflection of the mirror plate 204 is limited by motion stops, as described above. The full deflection of the mirror plate 204 deflects the outgoing reflected light beam into the imaging optics and to the video display.

When the mirror plate 204 deflects past the “snapping” or “pulling” voltage (approximately 12 volts in one embodiment), the restoring mechanical force or torque of the hinge 206 can no longer balance the electrostatic force or torque and the mirror plate 204 “snaps” down toward the electrode 126 to achieve full deflection, limited only by the motion stops. To release the mirror plate 204 from its fully deflected position, the voltage must be lowered substantially below the snapping voltage to a releasing voltage (e.g., approximately 3.3 volts, in the embodiment where the snapping voltage is 5.0 volts). Thus, the micro mirror 202 is an electromechanically bistable device. Given a specific voltage between the releasing voltage and the snapping voltage, there are two possible deflection angles at which the mirror plate 204 may be, depending on the history of mirror plate 204 deflection. Therefore, the mirror plate 204 deflection acts as a latch. These bistability and latching properties exist since the mechanical force required for deflection of the mirror plate 204 is roughly linear with respect to deflection angle, whereas the opposing electrostatic force is inversely proportional to the distance between the mirror plate 204 and the electrode 126.

Since the electrostatic force between the mirror plate 204 and the electrode 126 depends on the total voltage between the mirror plate 204 and the electrode 126, a negative voltage applied to a mirror plate 204 reduces the positive voltage needed to be applied to the electrode 126 to achieve a given deflection amount. Thus, applying a voltage to a mirror array 103 can reduce the voltage magnitude requirement of the electrodes 126. This can be useful, for example, because in some applications it is desirable to keep the maximum voltage that must be applied to the electrodes 126 below 12V because a 5V switching capability is more common in the semiconductor industry. In addition, the amount of charge needed to bias each electrode 126 where a voltage is applied to a mirror array 103 is smaller than the charge needed in an embodiment in which the mirror array 103 is held at a ground potential. Thus the time required to correctly apply the proper voltage to the electrode 126 and deflect the mirror plate 204 is relatively fast.

Since the maximum deflection of the mirror plate 204 is fixed, the SLM 100 can be operated in a digital manner if it is operated at voltages past the snapping voltage. The operation is essentially digital because the mirror plate 204 is either fully deflected downward by application of a voltage to the associated electrode 126 or is allowed to spring upward, with no voltage applied to the associated electrode 126. A voltage that causes the mirror plate 204 to fully deflect downward until stopped by the physical elements that stop the deflection of the mirror plate 204 is known as a “snapping” or “pulling” voltage. Thus, to deflect the mirror plate 204 fully downward, a voltage equal or greater to the snapping voltage is applied to the corresponding electrode 126. In video display applications, when the mirror plate 204 is fully deflected downward, the incident light on that mirror plate 204 is reflected to a corresponding

16

pixel on a video display. When the mirror plate 204 is allowed to spring upward, the light is reflected in such a direction so that it does not strike the video display.

During such digital operation, it is not necessary to keep the full snapping voltage on an electrode 126 after an associated mirror plate 204 has been fully deflected. During an “addressing stage,” voltages for selected electrodes 126 that correspond to the mirror plates 204 which should be fully deflected are set to levels required to deflect the mirror plates 204. After the mirror plates 204 in question have deflected due to the voltages on electrodes 126, the voltage required to hold the mirror plates 204 in the deflected position is less than that required for the actual deflection. This is because the gap between the deflected mirror plate 204 and the addressing electrode 126 is smaller than when the mirror plate 204 is in the process of being deflected. Therefore, in the “hold stage” after the addressing stage the voltage applied to the selected electrodes 126 can be reduced from its original required level without substantially affecting the state of deflection of the mirror plates 204. One advantage of having a lower hold stage voltage is that nearby undeflected mirror plates 204 are subject to a smaller electrostatic attractive force, and they therefore remain closer to a zero-deflected position. This improves the optical contrast ratio between the deflected mirror plates 204 and the undeflected mirror plates 204.

With the appropriate choice of dimensions (in one embodiment, spacer 210 separation between the mirror plate 204 and the electrode 126 of 1 to 5 microns and hinge 206 thickness of 0.05 to 0.45 microns) and materials (such as single crystal silicon (100)), a reflective SLM 100 can be made to have an operating voltage of only a few volts. The torsion modulus of the hinge 206 made of single crystal silicon may be, for example, 5×10^{10} Newton per meter-squared per radium. The voltage at which the electrode 126 operates to fully deflect the associated mirror plate 204 can be made even lower by maintaining the mirror plate 204 at an appropriate voltage (a “negative bias”), rather than ground. This results in a larger deflection angle for a given voltage applied to an electrode 126. The maximum negative bias voltage is the releasing voltage, so when the addressing voltage reduced to zero the mirror plate 204 can snap back to the undeflected position.

It is also possible to control the mirror plate 204 deflections in a more “analog” manner. Voltages less than the “snapping voltage” are applied to deflect the mirror plate 204 and control the direction in which the incident light is reflected.

Alternate Applications:

Aside from video displays, the spatial light modulator 100 is also useful in other applications. One such application is in maskless photolithography, where the spatial light modulator 100 directs light to develop deposited photoresist. This removes the need for a mask to correctly develop the photoresist in the desired pattern.

Although the invention has been particularly shown and described with reference to multiple embodiments, it will be understood by persons skilled in the relevant art that various changes in form and details can be made therein without departing from the spirit and scope of the invention. For example, the mirror plates 204 may be deflected through methods other than electrostatic attraction as well. The mirror plates 204 may be deflected using magnetic, thermal, or piezo-electric actuation instead.

We claim:

1. A method of fabricating a spatial light modulator, comprising:

17

generating a mask on a first side of a first substrate;
forming cavities in the first side of the first substrate;
fabricating electrodes and addressing and control circuitry
on a first side of a second substrate; and
then bonding the first side of the first substrate to the first
side of the second substrate; and forming hinges, con- 5
nectors, and mirror plates on a second side of the first
substrate after bonding the first side of the first sub-
strate to the first side of the second substrate.

2. The method of claim 1, wherein the first substrate is a 10
single continuous piece of a material.

3. The method of claim 2, wherein the first substrate is
single crystal silicon.

4. The method of claim 1, further comprising depositing 15
a reflective layer on the second side of the first substrate
prior to forming hinges, connectors, and mirror plates on the
second side of the first substrate.

5. A method of fabricating a spatial light modulator
including an array of a plurality of mirrors, comprising: 20
generating a first mask on a first side of a substrate, the
first mask defining areas to be etched from the first side
of the first substrate;
etching the areas on the first side of the first substrate
defined by the first mask to form a plurality of cavities 25
on the first side on the first substrate;
fabricating control circuitry and then electrodes on a first
side of a second substrate;
then bonding the first side of the substrate to the first side
of the second substrate;
creating a reflective surface on the second side of the first 30
substrate;
generating a second mask defining areas to be etched from
the second side of the first substrate; and
etching the areas on the second side of the first substrate 35
defined by the second mask to form a plurality of hinges and
mirror plates.

18

6. The method of claim 5, wherein etching the areas on the
first side of the first substrate defined by the first mask to
form a plurality of cavities in the first side of the first
substrate comprises performing an anisotropic reactive ion
etch with SF₆, HBr, and oxygen gases flowing.

7. The method of claim 5, wherein fabricating control
circuitry on the first side of the second substrate comprises
fabricating a memory buffer, a display controller and a pulse
width modulation array.

8. The method of claim 5, wherein fabricating electrodes
on the first side of the second substrate comprises:
covering the fabricated control circuitry with a passiva-
tion layer;
depositing a metallization layer on the passivation layer;
patterning the metallization layer in a pattern that will
define the electrodes; and
etching the metallization layer to leave behind the mate-
rial that makes up the electrodes.

9. The method of claim 5, further comprising, prior to
bonding the first side of the first substrate to the first side of
the second substrate, aligning the first substrate with the
second substrate so that the electrodes on the second sub-
strate are positioned to control the deflection of mirrors in
the first substrate when the first and second substrates are
bonded together.

10. The method of claim 9, wherein aligning the first
substrate with the second substrate comprises aligning a
pattern on the first substrate with a pattern on the second
substrate.

11. The method of claim 5, wherein bonding the first side
of the first substrate to the first side of the second substrate
comprises using a low temperature bonding method per-
formed at less than approximately 500 degrees Celsius.

* * * * *

UNITED STATES PATENT AND TRADEMARK OFFICE
CERTIFICATE OF CORRECTION

PATENT NO. : 7,022,245 B2
APPLICATION NO. : 10/756923
DATED : April 4, 2006
INVENTOR(S) : Pan et al.

Page 1 of 1

It is certified that error appears in the above-identified patent and that said Letters Patent is hereby corrected as shown below:

In the Claims:

At Column 17, Line 4, please delete “second substrate; and” and insert -- second substrate; --.

At Column 17, Line 6 and 7 should read as:

--side of the second substrate; and

forming hinges, connectors, and mirror plates on a second side of the first--.

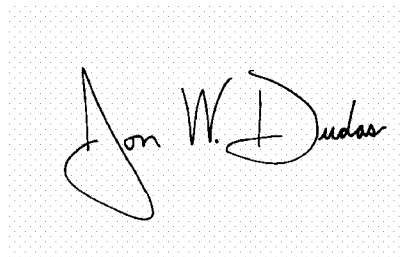
At Column 17, Line 20, please delete “first side of a substrate,” and insert -- first side of a first substrate, --.

At Column 17, Line 25, please delete “on the first side on the first substrate;” and insert -- in the first side of the first substrate; --.

At Column 17, Line 28, please delete “the first side of the substrate” and insert -- the first side of the first substrate --.

Signed and Sealed this

Fifteenth Day of August, 2006

A handwritten signature in black ink on a light gray dotted background. The signature reads "Jon W. Dudas" in a cursive style.

JON W. DUDAS

Director of the United States Patent and Trademark Office